

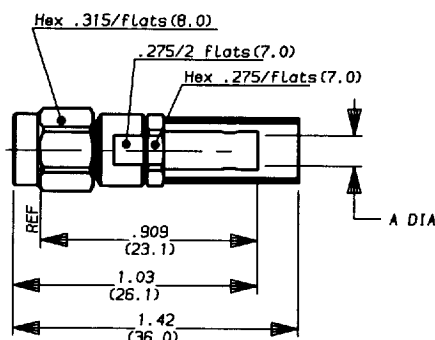
SMA connectors for flexible cable are designed for use on medium and smaller size flexible cable. Designs exist for nearly all styles of connector terminated in most flexible cable types.

FLEXIBLE CABLE – CRIMP OR SOLDER TYPE



Straight cable plug

CABLE TYPE (RG)	174, 188, 316/U	180,195/U
PART NUMBER	R 125 073 000	R 125 074 000
Captive contact	YES	YES
A DIA.	.128 (3.25)	.181 (4.60)
Assembly instructions	M 07 page 72	

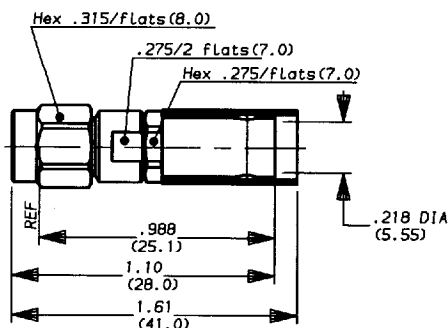


See footnote 1



Straight cable plug

CABLE TYPE (RG)	58, 141, 303/U	55, 142 223, 400/U
PART NUMBER	R 125 077 000	R 125 078 000
Captive contact	YES	YES
Assembly instructions	M 07 page 72	

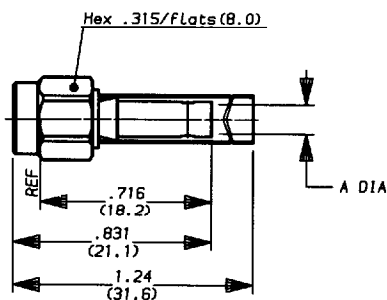


See footnote 1



Straight cable plug

CABLE TYPE (RG)	174, 188, 316/U	RD 316
PART NUMBER	R 125 072 000	R 125 072 080
Captive contact	NO	NO
A DIA.	.128 (3.25)	.138 (3.50)
Assembly instructions	M 08 page 73	



• Manufactured upon request

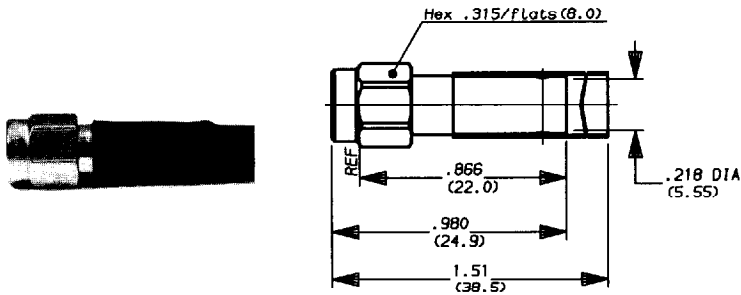
See footnote 1

1) Finish : Gold plated. For passivated stainless steel finish (only for crimp attachment), add the part number suffix 001/Ex R 125 073 001 or change the last digit from 1 to 0 / Ex R 125 072 081

SMA

FLEXIBLE CABLE – CRIMP OR SOLDER TYPE

Straight cable plug

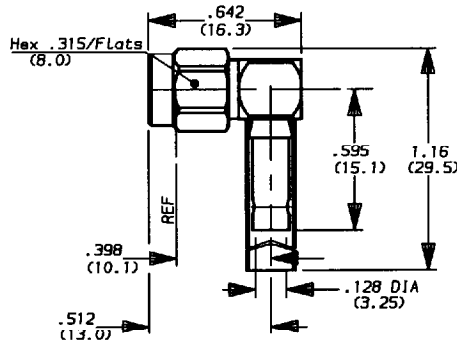


See footnote 1



CABLE TYPE (RG)	58, 141, 303/U	55, 142, 223, 400/U
PART NUMBER	R 125 075 000	R 125 076 000
Captive contact	NO	NO
Assembly instructions	M 08 page 73	

Right angle cable plug

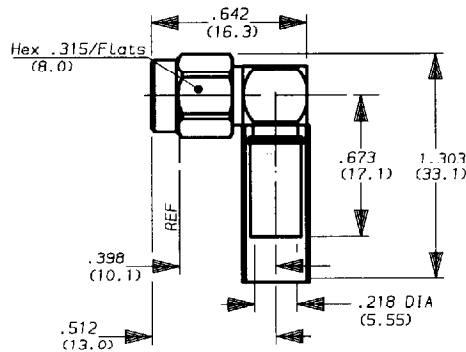


See footnote 1



CABLE TYPE (RG)	174, 188, 316/U	RD 316
PART NUMBER	R 125 172 000	R 125 174 000
Captive contact	YES	YES
Assembly instructions	M 10 page 75	

Right angle cable plug

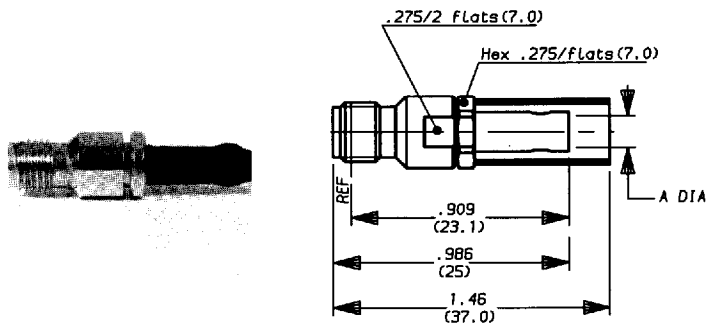


See footnote 1



CABLE TYPE (RG)	58, 141, 303/U	55, 142, 223, 400/U
PART NUMBER	R 125 175 000	R 125 176 000
Captive contact	YES	YES
Assembly instructions	M 10 page 75	

Straight cable jack



See footnote 1



CABLE TYPE (RG)	174, 188, 316/U	RD 316
PART NUMBER	R 125 236 000	R 125 233 000*
Captive contact	YES	YES
A DIA.	.128 (3.25)	.138 (3.50)
Assembly instructions	M 07 page 72	

*Manufactured upon request

1) Finish: Gold plated. For passivated stainless steel finish (only for crimp attachment), add the part number suffix 001 /Ex R 125 075 001

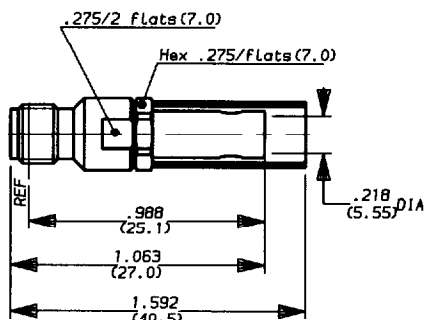
FLEXIBLE CABLE – CRIMP OR SOLDER TYPE

Straight cable jack



CABLE TYPE (RG)	58, 141, 303/U	55, 142, 223, 400/U
PART NUMBER	R 125 239 000*	R 125 240 000
Captive contact	YES	YES
Assembly instructions	M 07 page 72	

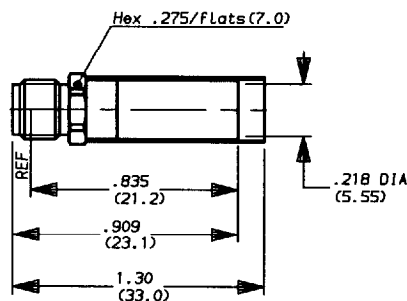
*Manufactured upon request



See footnote 1

Straight cable jack

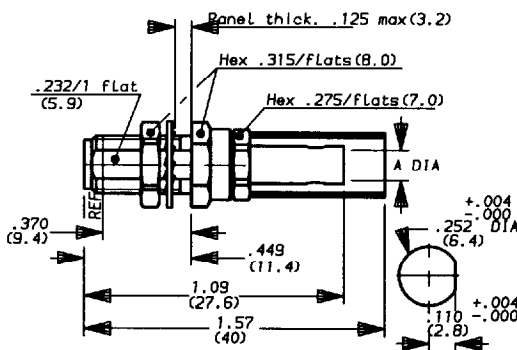
CABLE TYPE (RG)	58, 141, 303/U	55, 142, 223, 400/U
PART NUMBER	R 125 237 000	R 125 238 000
Captive contact	NO	NO
Assembly instructions	M 08 page 73	



See footnote 1

Bulkhead feedthrough cable jack

CABLE TYPE (RG)	174, 188, 316/U	55, 142, 223, 400/U
PART NUMBER	R 125 303 000	R 125 308 000
Captive contact	YES	YES
A DIA.	.128 (3.25)	.218 (5.55)
Assembly instructions	M 07 page 72	

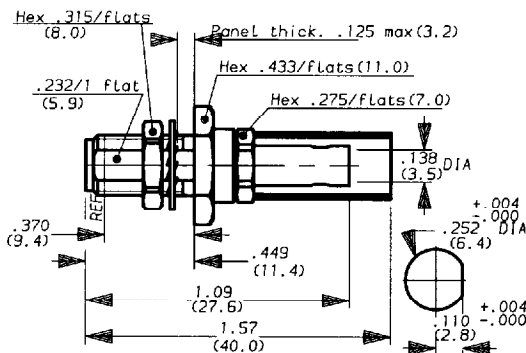


See footnote 1

Bulkhead feedthrough cable jack

CABLE TYPE	RD 316
PART NUMBER	R 125 304 000*
Captive contact	YES
Assembly instructions	M 07 page 72

*Manufactured upon request



See footnote 1

1) Finish:Gold plated. For passivated stainless steel finish (only for crimp attachment), add the part number suffix 001 /Ex R 125 239 001