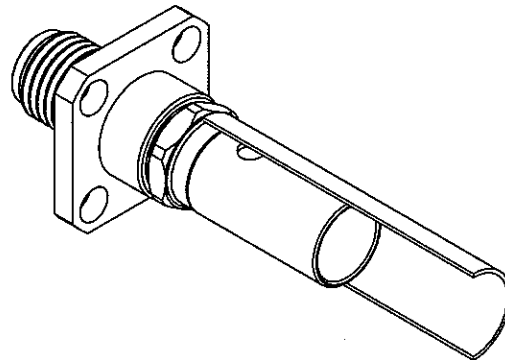
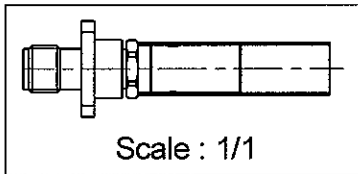
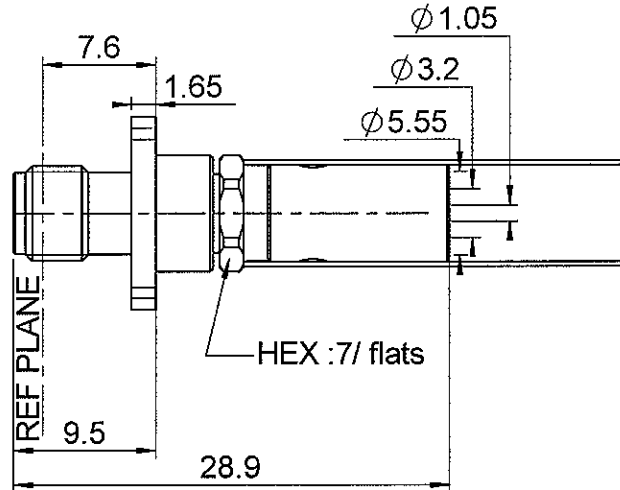
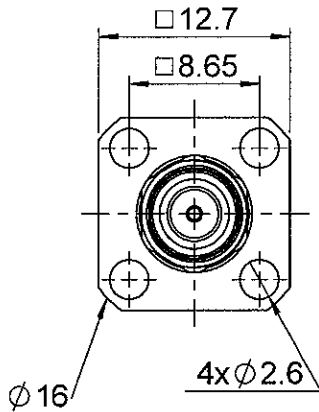


STRAIGHT JACK SQUARE FLANGE
CRIMP AND SOLDER TYPE - CABLE 5/50 S

R125.277.000

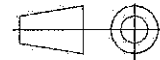
Series : SMA



PANEL CUT OUT

	mm	
	Maxi	mini
A	6.6	6.5
B	2.7	2.6
C	8.69	8.59

All dimensions are in mm.



COMPONENTS	MATERIALS	PLATINGS (µm)
BODY	STAINLESS STEEL	GOLD 0.5 OVER NICKEL 2
CENTER CONTACT	BERYLLIUM COPPER	GOLD 1.3 OVER NICKEL 2
OUTER CONTACT	-	-
INSULATOR	PTFE	-
GASKET	-	-
OTHERS PARTS	BRASS	GOLD 0.2 OVER NICKEL 2
-	-	-
-	-	-

Issue : 0545 J

In the effort to improve our products, we reserve the right to make changes judged to be necessary.



STRAIGHT JACK SQUARE FLANGE
CRIMP AND SOLDER TYPE - CABLE 5/50 S

R125.277.000

Series : SMA

PACKAGING

Standard	Unit	Other
100	'W' option	Contact us

SPECIFICATION

LMT 486268

ELECTRICAL CHARACTERISTICS

Impedance		50 Ω
Frequency		0-12.4 GHz
VSWR	1.15 +	0.010 x F(GHz) Maxi
Insertion loss		0.06 √F(GHz) dB Maxi
RF leakage	- (60 - F(GHz)) dB Maxi
Voltage rating		335 Veff Maxi
Dielectric withstanding voltage		1000 Veff mini
Insulation resistance		5000 MΩ mini

CABLE ASSEMBLY

Stripping	a	b	c	d	e	f
mm	2.85	7.00	18.0	0.00	8.15	0.00

Assembly instruction :

Recommended cable(s)

KX 15
 RG 141
 RG 58

Characteristics indicated on this data sheet are those that can be achieved with the highest performance cable. Intrinsic limitations of the cable may diminish the performance of the assembly

Cable retention

- pull off **180** N mini
 - torque **NA** N.cm

MECHANICAL CHARACTERISTICS

Center contact retention		
Axial force – Mating end	27	N mini
Axial force – Opposite end	NA	N mini
Torque	NA	N.cm mini

TOOLING

Part Number	Description	Hexagon
R282.223.000	CRIMPING TOOL	5.40
R282.293.000	CRIMPING TOOL	-
R282.235.011	CRIMPING DIES	5.40

Recommended torque		
Mating	NA	N.cm
Panel nut	NA	N.cm
Clamp nut	100	N.cm
A/F clamp nut	7.000	mm

Mating life	500	Cycles mini
Weight	5.800	g

OTHERS CHARACTERISTICS

-

ENVIRONMENTAL

Operating temperature	-65/+165	° C
Hermetic seal	NA	Atm.cm3/s
Panel leakage	NA	

Issue : 0545 J

In the effort to improve our products, we reserve the right to make changes judged to be necessary.

