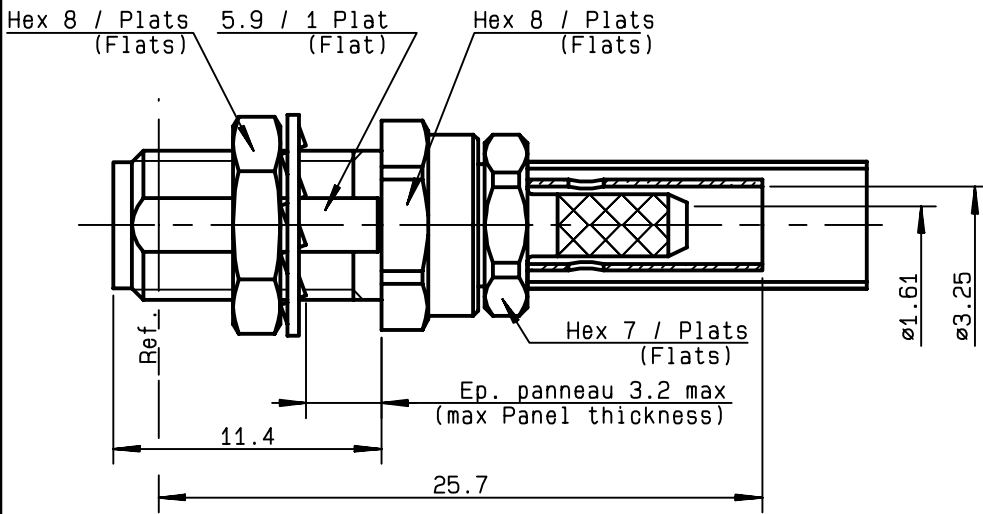
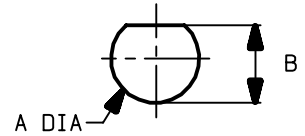


STRAIGHT BULKHEAD JACK
CRIMP OR SOLDER TYPE - CABLE 2.6/50 S

R125.303.001
SERIES SMA



PERCEGE PANNEAU
 MOUNTING HOLE



	MM		INCH	
	maxi	mini	maxi	mini
A	6.45	6.4	0.254	0.252
B	6.05	6	0.238	0.236

NOMINAL IMPEDANCE	50 Ω
FREQUENCY RANGE	0-12.4 GHz
TEMPERATURE RATING	-65/+165 °C
V.S.W.R	1.15 + .02 x F(GHz)Maxi
RF INSERTION LOSS	0.06 √F(GHz) dB Maxi
VOLTAGE RATING	250 Veff Maxi
DIELECTRIC WITHSTANDING VOLTAGE	750 Veff Mini
INSULATION RESISTANCE	5000 MΩMini
HERMETIC SEAL	NA Atm.cm ³ /s
LEAKAGE (pressurized only)	NA
MECHANICAL DURABILITY	500 Cycles
WEIGHT	gr
SPECIFICATION	

CABLES : **KX 22A**
RG 188
RG 316

OTHERS CHARACTERISTICS

CABLE RETENTION	90	N Mini
CENTER CONTACT RETENTION		
Axial force - mating end	27	N Mini
Axial force - opposite end	27	N Mini
Torque	NA	cm.N Mini
RECOMMENDED TORQUES		
Mating	NA	cm.N
Panel nut	80	cm.N
Clamp nut	100	cm.N

CONNECTOR PARTS MATERIALS

BODY	STAINLESS STEEL
OUTER CONTACT	
CENTER CONTACT	BERYLLIUM COPPER
INSULATOR	PTFE
GASKET	
OTHERS PIECES	BRASS

FINISH

(all values are given in micrometers)

PASSIVATED	
GOLD 1.3 OVER NICKEL 2	
-	
-	
NICKEL 2	

BAFFERT

ISSUE	CREATION DATE	FILE PART-NUMBER
9840D04	18/01/1991	



RADIALL®

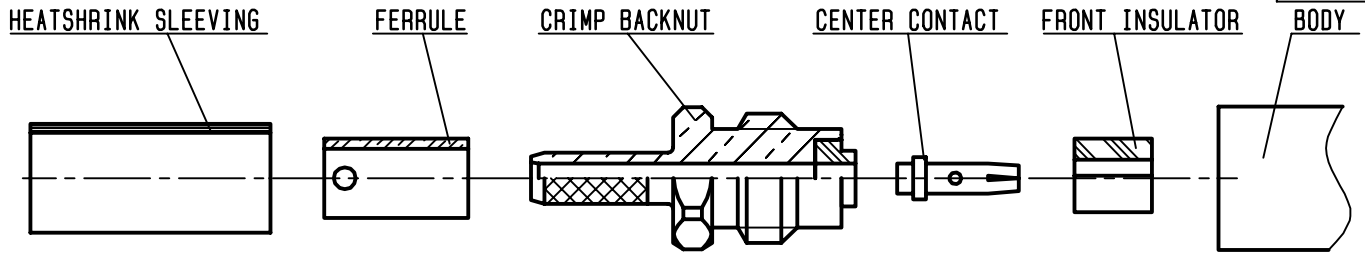
The information given here is subject to change without notice.
 Design changes may be in order to improve the product .

Connect to the future



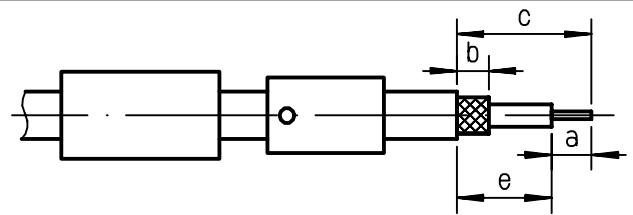
R125.303.001

ISSUE **9840D04** SERIES **SMA**



①

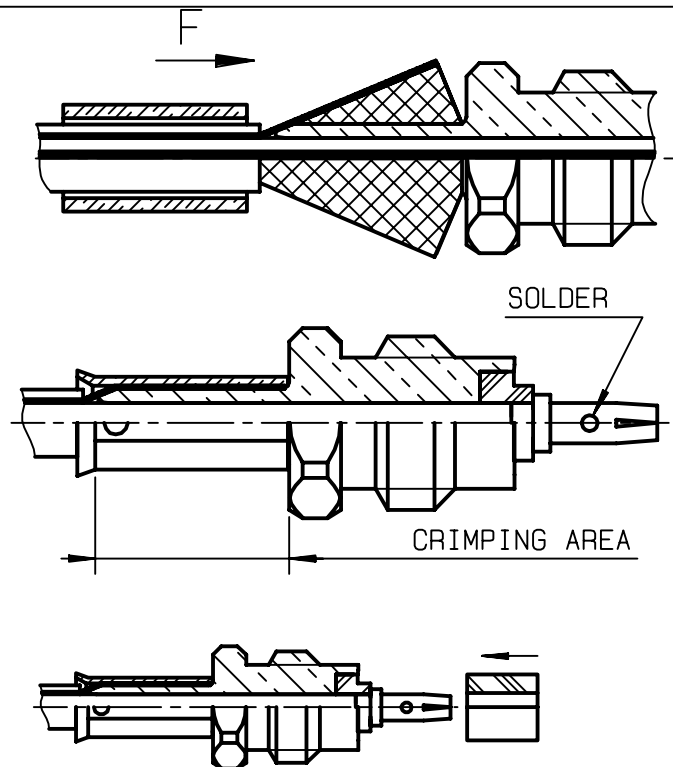
Slide the heatshrink sleeving and the ferrule onto the cable
 Ferrule holes to the front if SOLDER.
 Ferrule holes to the rear if CRIMP.
 Strip the cable .



Stripping	a	b	c	d	e
inch	0.138	0.276	0.531	0	0
mm	3.5	7	13.5		

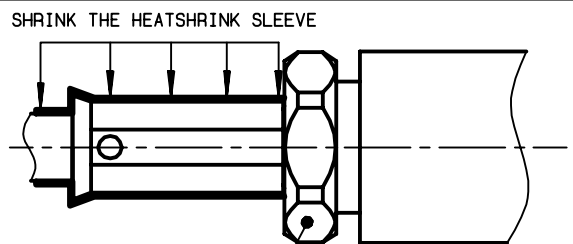
②

Fan the braid .
 Slide the back body between dielectric and braid .
 Put the cable against the insulator.
 Slide ferrule over the braid (in direction F)
 Crimp ferrule with RADIALL crimping tool R282 211 or crimping tool R282 293 000 (M22520/5-01) + dies R282 235 003 (M22520/5-03) Hex .128
 Slide the center contact on the cable until it bottoms against insulator .
 Solder the center contact.
 Slide the front insulator on the center contact.



③

Screw the sub-assembly into the connector body (recommended coupling torque: 7.08 to 10.16 in.lb)
 Cut the excess of braid.
 Slide sleeve over ferrule and heatshrink in place.



Hex. : .276/ flats