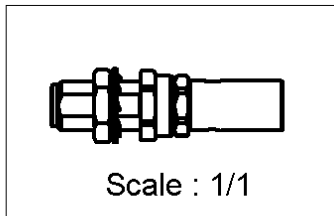
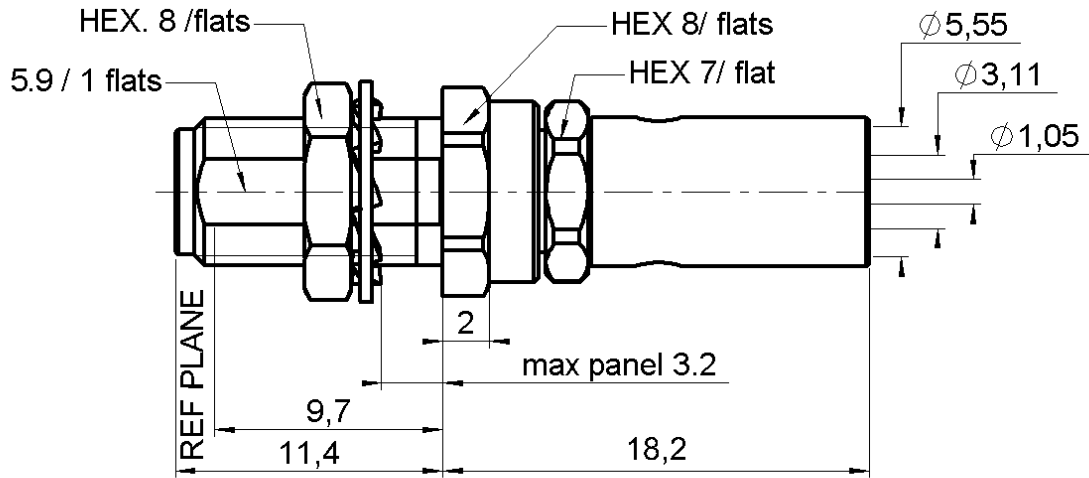


**STRAIGHT BULKHEAD JACK,  
CRIMP AND SOLDER TYPE - CABLE 5/50 D**

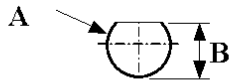
**R125.308.000**

Series : SMA

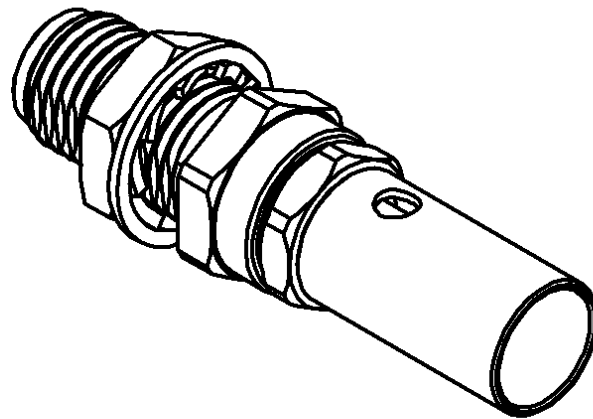


Scale : 1/1

**PANEL CUT OUT**



| mm |      |      |
|----|------|------|
|    | Maxi | mini |
| A  | 6.5  | 6.4  |
| B  | 6.15 | 6.0  |



All dimensions are in mm.



| COMPONENTS     | MATERIALS        | PLATINGS ( $\mu\text{m}$ ) |
|----------------|------------------|----------------------------|
| BODY           | STAINLESS STEEL  | GOLD 0.5 OVER NICKEL 2     |
| CENTER CONTACT | BERYLLIUM COPPER | GOLD 1.3 OVER NICKEL 2     |
| OUTER CONTACT  | -                | -                          |
| INSULATOR      | PTFE             | -                          |
| GASKET         | -                | -                          |
| OTHERS PARTS   | BRASS            | GOLD 0.5 OVER NICKEL 2     |
| -              | -                | -                          |
| -              | -                | -                          |

Issue : 0633 B

In the effort to improve our products, we reserve the right to make changes judged to be necessary.



**STRAIGHT BULKHEAD JACK,  
CRIMP AND SOLDER TYPE - CABLE 5/50 D**

**R125.308.000**

Series : SMA

**PACKAGING**

| Standard | Unit | Other             |
|----------|------|-------------------|
| <b>1</b> | '-   | <b>Contact us</b> |

**SPECIFICATION**

**ELECTRICAL CHARACTERISTICS**

|                                 |               |                             |
|---------------------------------|---------------|-----------------------------|
| Impedance                       |               | <b>50</b> Ω                 |
| Frequency                       |               | <b>0-12.4</b> GHz           |
| VSWR                            | <b>1.15</b> + | <b>0,0100</b> x F(GHz) Maxi |
| Insertion loss                  |               | <b>0.06</b> √F(GHz) dB Maxi |
| RF leakage                      | - (           | <b>60</b> - F(GHz)) dB Maxi |
| Voltage rating                  |               | <b>335</b> Veff Maxi        |
| Dielectric withstanding voltage |               | <b>1000</b> Veff mini       |
| Insulation resistance           |               | <b>5000</b> MΩ mini         |

**CABLE ASSEMBLY**

| Stripping | a    | b    | c    | d    | e    | f    |
|-----------|------|------|------|------|------|------|
| mm        | 3,00 | 6,00 | 12,0 | 0,00 | 9,00 | 0,00 |

Assembly instruction : **Crimp 01**

Recommended cable(s)  
 RG 400  
 RG 223  
 KX 23  
 RG 142 FTX  
 RG 142

Characteristics indicated on this data sheet are those that can be achieved with the highest performance cable. Intrinsic limitations of the cable may diminish the performance of the assembly

Cable retention

- pull off **204** N mini  
 - torque **NA** N.cm

**MECHANICAL CHARACTERISTICS**

|                            |           |           |
|----------------------------|-----------|-----------|
| Center contact retention   |           |           |
| Axial force – Mating end   | <b>27</b> | N mini    |
| Axial force – Opposite end | <b>27</b> | N mini    |
| Torque                     | <b>NA</b> | N.cm mini |

**TOOLING**

| Part Number  | Description   | Hexagon |
|--------------|---------------|---------|
| .            | .             | .       |
| R282.223.000 | CRIMPING TOOL | 5.40    |
| R282.235.011 | CRIMPING DIES | 5.40    |
| R282.293.000 | CRIMPING TOOL | -       |

|                    |               |      |
|--------------------|---------------|------|
| Recommended torque |               |      |
| Mating             | <b>NA</b>     | N.cm |
| Panel nut          | <b>150</b>    | N.cm |
| Clamp nut          | <b>100</b>    | N.cm |
| A/F clamp nut      | <b>7,0000</b> | mm   |

|             |               |             |
|-------------|---------------|-------------|
| Mating life | <b>500</b>    | Cycles mini |
| Weight      | <b>4,9000</b> | g           |

**OTHERS CHARACTERISTICS**

-

**ENVIRONMENTAL**

|                       |                 |           |
|-----------------------|-----------------|-----------|
| Operating temperature | <b>-65/+165</b> | ° C       |
| Hermetic seal         | <b>NA</b>       | Atm.cm3/s |
| Panel leakage         | <b>NA</b>       |           |

Issue : 0633 B

In the effort to improve our products, we reserve the right to make changes judged to be necessary.

