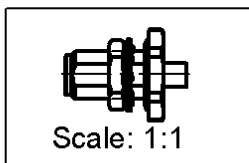
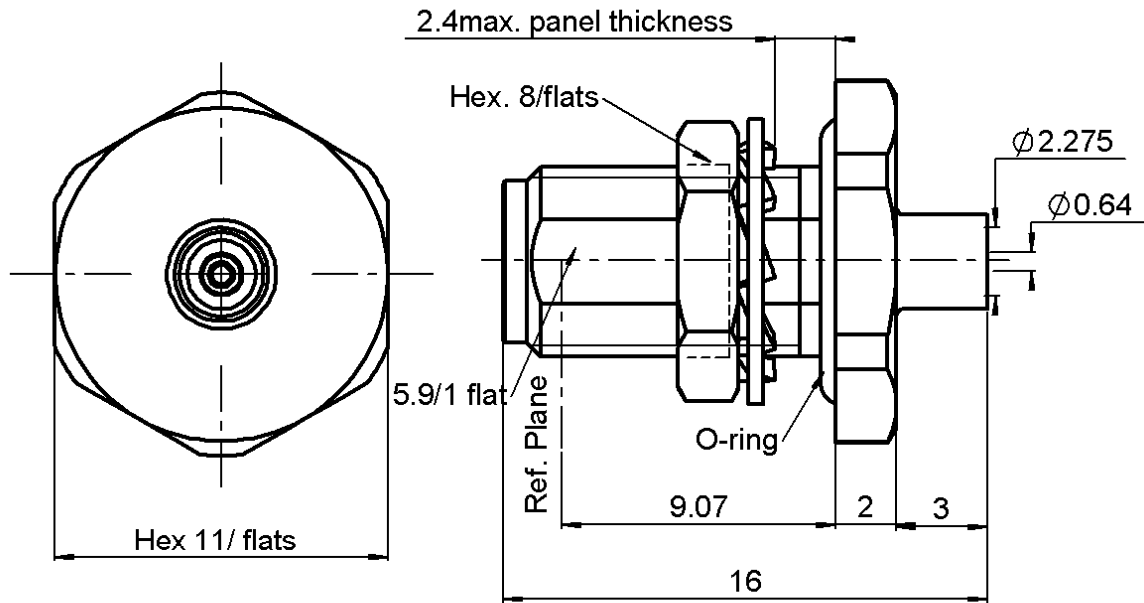


STRAIGHT BULKHEAD JACK PANEL SEAL

R125.326.000

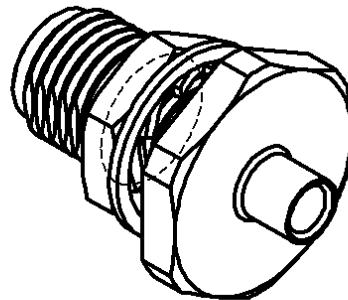
SOLDER TYPE-CABLE .085

Series : SMA

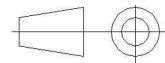


PANEL CUT OUT

		mm	
		Maxi	mini
A		6.5	6.4
B		6.15	6



All dimensions are in mm.



COMPONENTS	MATERIALS	PLATING (μm)
BODY	STAINLESS STEEL	GOLD 0.5 OVER NICKEL 2
CENTER CONTACT	BERYLLIUM COPPER	GOLD 1.3 OVER NICKEL2
OUTER CONTACT	-	-
INSULATOR	PTFE	-
GASKET	SILICONE RUBBER	-
OTHERS PARTS	BRASS	GOLD 0.2 OVER NICKEL 2
-	-	-
-	-	-

Issue : 1227 E

In the effort to improve our products, we reserve the right to make changes judged to be necessary.



STRAIGHT BULKHEAD JACK PANEL SEAL

R125.326.000

SOLDER TYPE-CABLE .085

Series : SMA

PACKAGING

Standard	Unit	Other
100	'W' option	Contact us

SPECIFICATION

CABLE ASSEMBLY

ELECTRICAL CHARACTERISTICS

Stripping	a	b	c	d	e	f
mm	3,17	0,00	0,00	0,00	0,00	0,00

Impedance	50	Ω
Frequency	0-18	GHz
VSWR	1.07 + 0,0080	x F(GHz) Maxi
Insertion loss	0.03	\sqrt{F} (GHz) dB Maxi
RF leakage	- (90)	- F(GHz) dB Maxi
Voltage rating	335	Veff Maxi
Dielectric withstanding voltage	750	Veff mini
Insulation resistance	5000	M Ω mini

Assembly instruction : **Solder 01**

Recommended cable(s)

RG 405

KS 1

Characteristics indicated on this data sheet are those that can be achieved with the highest performance cable. Intrinsic limitations of the cable may diminish the performance of the assembly

Cable retention

- pull off **130** N mini
 - torque **NA** N.cm

MECHANICAL CHARACTERISTICS

TOOLING

Center contact retention	
Axial force – Mating end	NA N mini
Axial force – Opposite end	NA N mini
Torque	NA N.cm mini

Part Number	Description	Hexagon
R282.744.010	SOLDERING POSITIONER (BODY)	
R282.051.000	STRIPPING TOOL	
R282.063.000	POINTER GAUGE	
R282.120.010	SMA TOOLBOX	
R282.730.043	INSULATOR MOUNTING TOOL	
R282.740.000	SOLDERING MOUNTING	
R282.744.220	SOLDERING POSITIONER(CENTER CONTACT)	
R282.862.060	CONTROL GAUGE	POSITION 61
R282.914.010	DIELETRIC RECESS GAUGE	
R282.915.010	DIELECTRIC RECESS TOOL	

Recommended torque	
Mating	NA N.cm
Panel nut	150 N.cm
Clamp nut	NA N.cm
A/F clamp nut	0,0000 mm

Mating life	500 Cycles mini
Weight	3,2900 g

ENVIRONMENTAL

OTHER CHARACTERISTICS

Operating temperature	-65/+105 °C
Hermetic seal	Atm.cm3/s
Panel leakage	

Issue : 1227 E

In the effort to improve our products, we reserve the right to make changes judged to be necessary.

