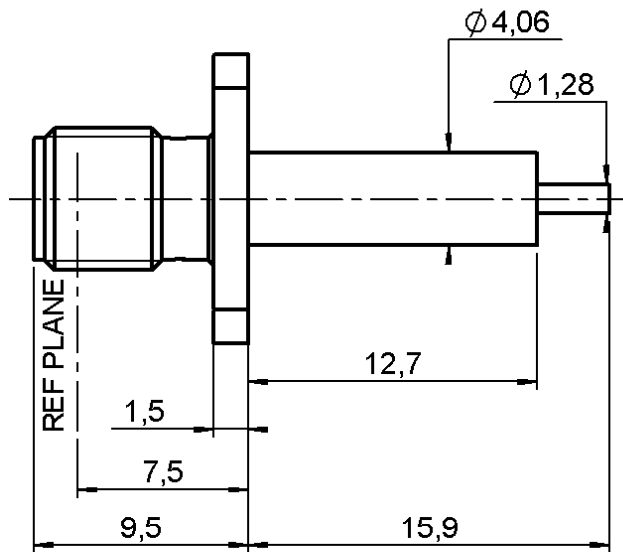
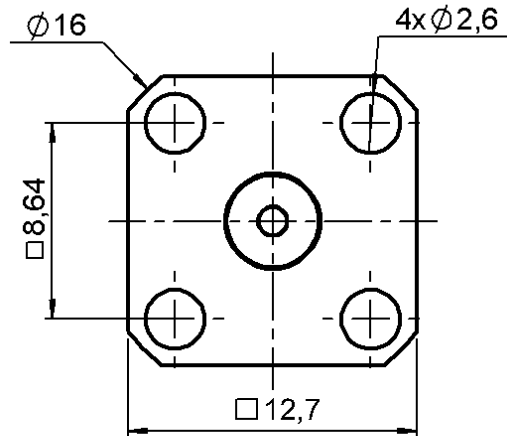


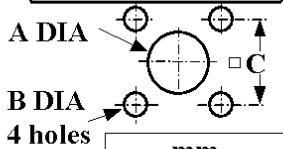
**1/2 INCH SQUARE FLANGE JACK RECEPTACLE
WITH CYLINDRICAL CONTACT**

R125.414.000

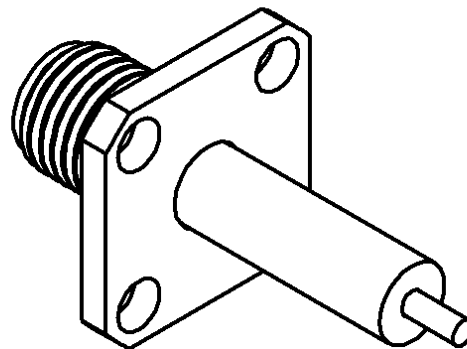
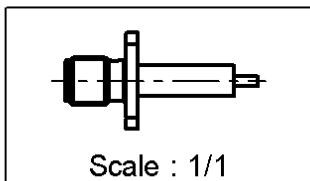
Series : SMA



PANEL CUT OUT

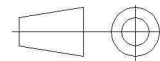


	mm	
	Maxi	mini
A	4.3	4.2
B	2.7	2.6
C	8.69	8.59



CECC 22111-060-01

All dimensions are in mm.



COMPONENTS	MATERIALS	PLATING (µm)
BODY	STAINLESS STEEL	GOLD 0.5 OVER NICKEL 2
CENTER CONTACT	BERYLLIUM COPPER	GOLD 1.3 OVER NICKEL2
OUTER CONTACT	-	-
INSULATOR	PTFE	-
GASKET	-	-
OTHERS PARTS	-	-
.	-	-
.	-	-

Issue : 1001 Z

In the effort to improve our products, we reserve the right to make changes judged to be necessary.



**1/2 INCH SQUARE FLANGE JACK RECEPTACLE
WITH CYLINDRICAL CONTACT**

R125.414.000

Series : SMA

PACKAGING

Standard	Unit	Other
100	'W' option	Contact us

SPECIFICATION

ELECTRICAL CHARACTERISTICS

Impedance		50 Ω
Frequency		0-24.5 GHz
VSWR	1.06 +	0,0025 x F(GHz) Maxi
Insertion loss		.07* √F(GHz) dB Maxi
RF leakage	- (NA - F(GHz)) dB Maxi
Voltage rating		500 Veff Maxi
Dielectric withstanding voltage		1000 Veff mini
Insulation resistance		5000 MΩ mini

ENVIRONMENTAL

Operating temperature	-65/+105 ° C
Hermetic seal	NA Atm.cm3/s
Panel leakage	NA

OTHER CHARACTERISTICS

Assembly instruction

Others :

* COAXIAL TRANSMISSION LINE ONLY

MECHANICAL CHARACTERISTICS

Center contact retention		
Axial force – Mating end	27	N mini
Axial force – Opposite end	27	N mini
Torque	2.8	N.cm mini
Recommended torque		
Mating	NA	N.cm
Panel nut	NA	N.cm
Mating life	500	Cycles mini
Weight	3,0340	g

Issue : 1001 Z

In the effort to improve our products, we reserve the right to make changes judged to be necessary.

RADIALL 