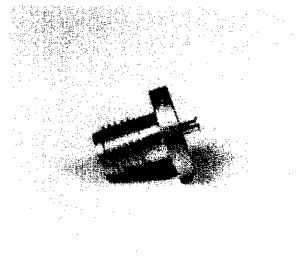
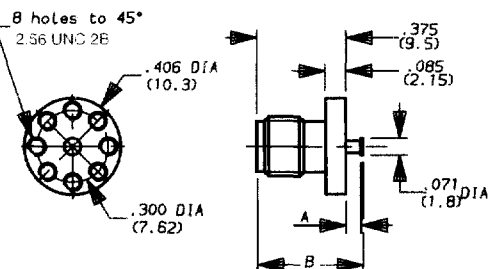


Surface launch straight jack (with turret terminal)

PART NUMBER	R 125 523 000	R 125 524 000*
Captive contact	NO	NO
A DIM.	.063 (1.6)	.125 (3.2)
B DIM.	.447 (11.35)	.510 (12.95)
Installation	M 20 page 78	M 20 page 78

• Manufactured upon request

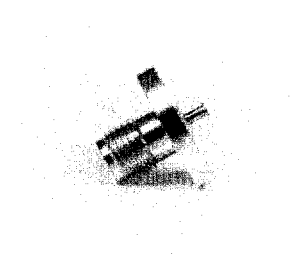
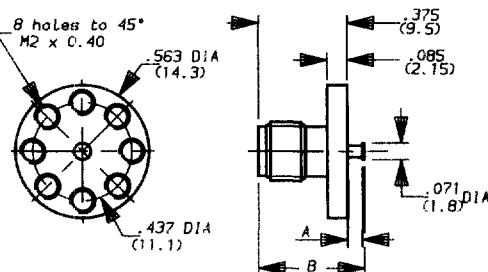


Finish : Gold plated

Surface launch straight jack (with turret terminal)

PART NUMBER	R 125 528 000	R 125 529 000*
Captive contact	NO	NO
A DIM.	.063 (1.6)	.125 (3.2)
B DIM.	.447 (11.35)	.510 (12.95)
Installation	M 20 page 78	M 20 page 78

• Manufactured upon request

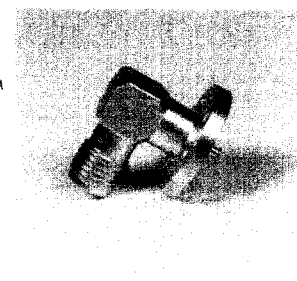
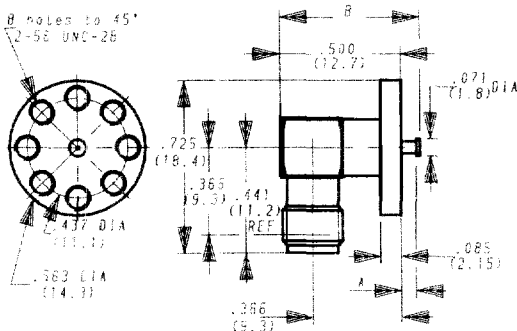


Finish : Gold plated

Surface launch right angle jack (with turret terminal)

PART NUMBER	R 125 663 000*	R 125 664 000*
Captive contact	NO	NO
A DIM.	.063 (1.6)	.125 (3.2)
B DIM.	.573 (14.55)	.636 (16.15)
Installation	M 20 page 78	M 20 page 78

• Manufactured upon request

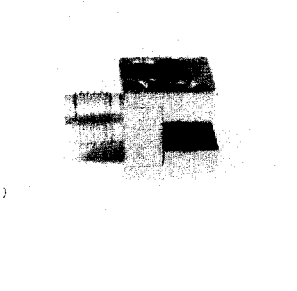
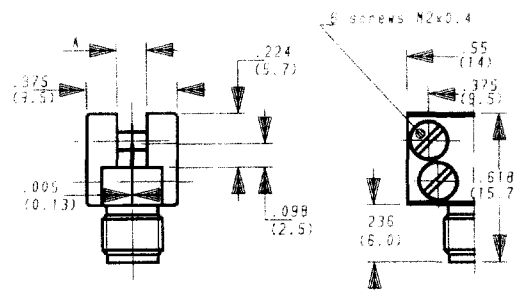


Finish : Gold plated

End launch straight jack (with tab terminal)

PART NUMBER	R 125 539 001*	R 125 541 001
Captive contact	YES	YES
A DIM.	.063 (1.6)	.125 (3.2)
Installation	M 19 page 78	M 19 page 78

• Manufactured upon request



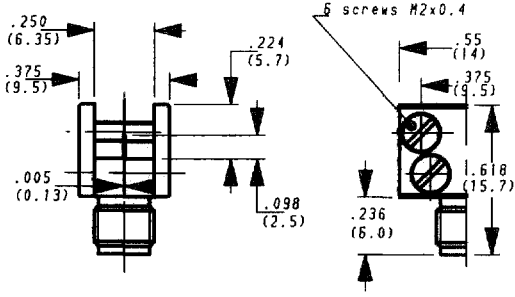
See footnote 1

1) The standard units have passivated stainless steel finish. For gold plated version, change the last digit from 1 to 0 : Ex R 125 523

SMA

FOR STRIPLINE CIRCUITS

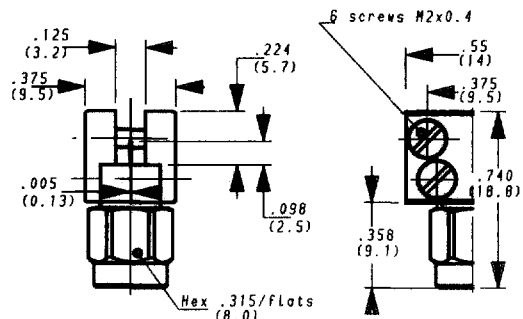
End launch straight jack (with tab terminal)



PART NUMBER	R 125 542 001
Captive contact	YES
Installation	M 19 page 78

See footnote 1.

End launch straight plug (with tab terminal)



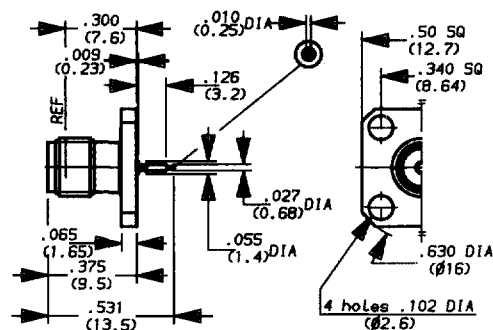
PART NUMBER	R 125 544 001*
Captive contact	YES
Installation	M 19 page 78

*Manufactured upon request

See footnote 1.

FOR MICROSTRIP CIRCUITS

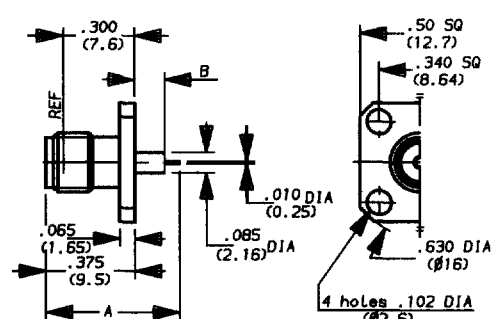
Square flange mount jack receptacle (with straight terminal)



PART NUMBER	R 125 611 001
Captive contact	YES
Installation	M 13 page 77

See footnote 1.

Square flange mount jack receptacle (with straight terminal)



PART NUMBER	R 125 512 001	R 125 513 001
Captive contact	YES	YES
A DIM.	.563 (14.3)	.500 (12.7)
B DIM.	.126 (3.2)	.063 (1.6)
Installation	M 13 page 77	M 14 page 77

See footnote 1.

1) The standard units have passivated stainless steel finish. For gold plated version, change the last digit from 1 to 0 : Ex R 125 542

