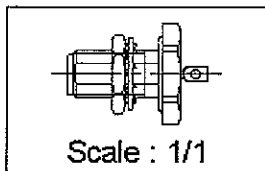
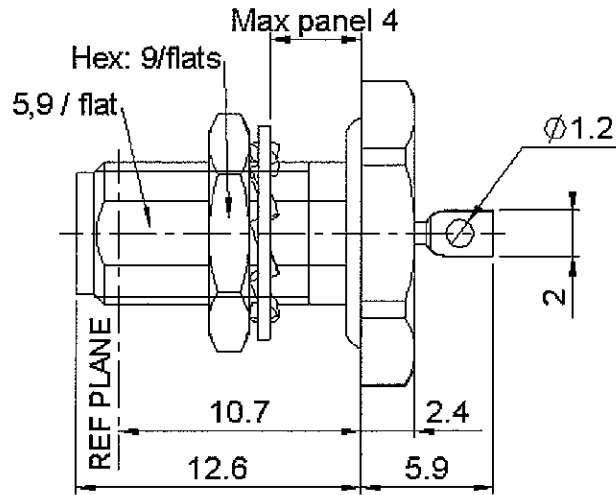


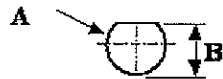
BULKHEAD JACK RECEPTACLE
HERMETIC - WITH SPECIAL CONTACT

R125.603.000

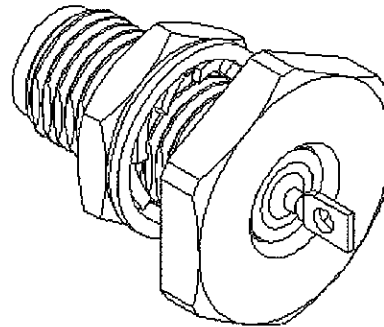
Series : SMA



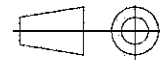
PANEL CUT OUT



mm		
	Maxi	mini
A	6.5	6.4
B	6.1	6



All dimensions are in mm.



COMPONENTS	MATERIALS	PLATINGS (µm)
BODY	BERYLLIUM COPPER	GOLD 0.5 OVER NICKEL 2
CENTER CONTACT	BERYLLIUM COPPER	GOLD 1.3 OVER NICKEL 2
OUTER CONTACT	-	-
INSULATOR	PTFE	-
GASKET	SILICONE RUBBER	-
OTHERS PARTS	BRASS	GOLD 0.2 OVER NICKEL 2
-	-	-
-	-	-

Issue : 0546 R

In the effort to improve our products, we reserve the right to make changes judged to be necessary.



BULKHEAD JACK RECEPTACLE
HERMETIC - WITH SPECIAL CONTACT

R125.603.000

Series : SMA

PACKAGING

Standard	Unit	Other
100	'W' option	Contact us

SPECIFICATION

ELECTRICAL CHARACTERISTICS

ENVIRONMENTAL

Impedance		50 Ω
Frequency		0-18 GHz
VSWR	1.10 +	0.010 x F(GHz) Maxi
Insertion loss		0.3* √F(GHz) dB Maxi
RF leakage	- (NA - F(GHz)) dB Maxi
Voltage rating		500 Veff Maxi
Dielectric withstanding voltage		1000 Veff mini
Insulation resistance		5000 MΩ mini

Operating temperature	-40/+100 ° C
Hermetic seal	10-5 Atm.cm ³ /s
Panel leakage	NA

OTHERS CHARACTERISTICS

Assembly instruction **NA**

Others :

* Coaxial Transmission Line Only

MECHANICAL CHARACTERISTICS

Center contact retention		
Axial force – Mating end		27 N mini
Axial force – Opposite end		27 N mini
Torque		NA N.cm mini
Recommended torque		
Mating		NA N.cm
Panel nut		150 N.cm
Mating life		500 Cycles mini
Weight		4.400 g

Issue : 0546 R

In the effort to improve our products, we reserve the right to make changes judged to be necessary.



RADIALL®