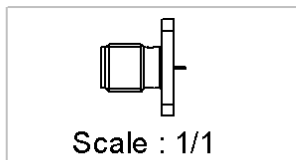
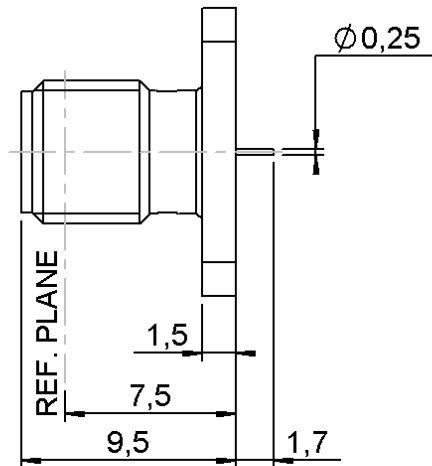
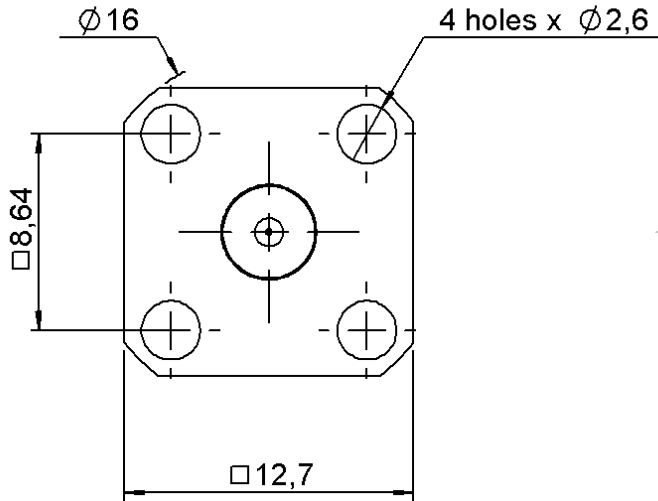
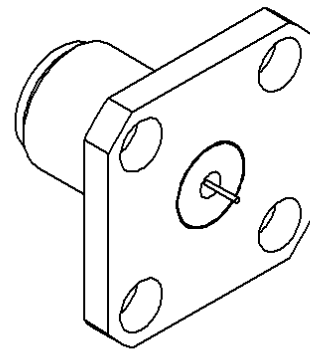


PAGE 1/2	ISSUE 01-09-15E	SERIES SMA	PART NUMBER R125610000
----------	-----------------	------------	------------------------

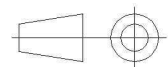


**PANEL CUT OUT**

	mm	
	Maxi	mini
A	4.2	4.1
B	2.7	2.6
C	8.69	8.59



All dimensions are in mm.



COMPONENTS	MATERIALS	PLATING (µm)
Body	<b>STAINLESS STEEL.</b>	<b>GOLD 0.5 OVER NICKEL 2</b>
Center contact	<b>BERYLLIUM COPPER</b>	<b>GOLD 1.3 OVER NICKEL2</b>
Outer contact	-	-
Insulator	<b>PTFE</b>	-
Gasket	-	-
Others parts	-	-
-	-	-
-	-	-

PAGE 2/2	ISSUE <b>01-09-15E</b>	SERIES <b>SMA</b>	PART NUMBER <b>R125610000</b>
----------	------------------------	-------------------	-------------------------------

**PACKAGING**

Standard	Unit	Other
<b>1</b>	<b>Contact us</b>	<b>Contact us</b>

**ELECTRICAL CHARACTERISTICS**

Impedance		<b>50</b>	Ω
Frequency		<b>0-18</b>	GHz
VSWR	<b>1.06</b>	<b>+</b>	<b>0,0025</b> x F(GHz) Maxi
Insertion loss		<b>0.07*</b>	√F(GHz) dB Maxi
RF leakage	- (	<b>60</b>	- F(GHz)) dB Maxi
Voltage rating		<b>500</b>	Veff Maxi
Dielectric withstanding voltage		<b>1000</b>	Veff mini
Insulation resistance		<b>5000</b>	MΩ mini

**ENVIRONMENTAL**

Operating temperature	<b>-65/+165</b>	°C
Hermetic seal	<b>NA</b>	Atm.cm3/s
Panel leakage	<b>NA</b>	

**MECHANICAL CHARACTERISTICS**

Center contact retention			
Axial force – Mating End		<b>27</b>	N mini
Axial force – Opposite end		<b>27</b>	N mini
Torque		<b>2.8</b>	N.cm mini
Recommended torque			
Mating		<b>NA</b>	N.cm
Panel nut		<b>NA</b>	N.cm
Mating life		<b>500</b>	Cycles mini
Weight		<b>2,5440</b>	g

**SPECIFICATION**

**OTHER CHARACTERISTICS**

Assembly instruction:**NA**

Others:

**\* Coaxial Transmission Line Only**