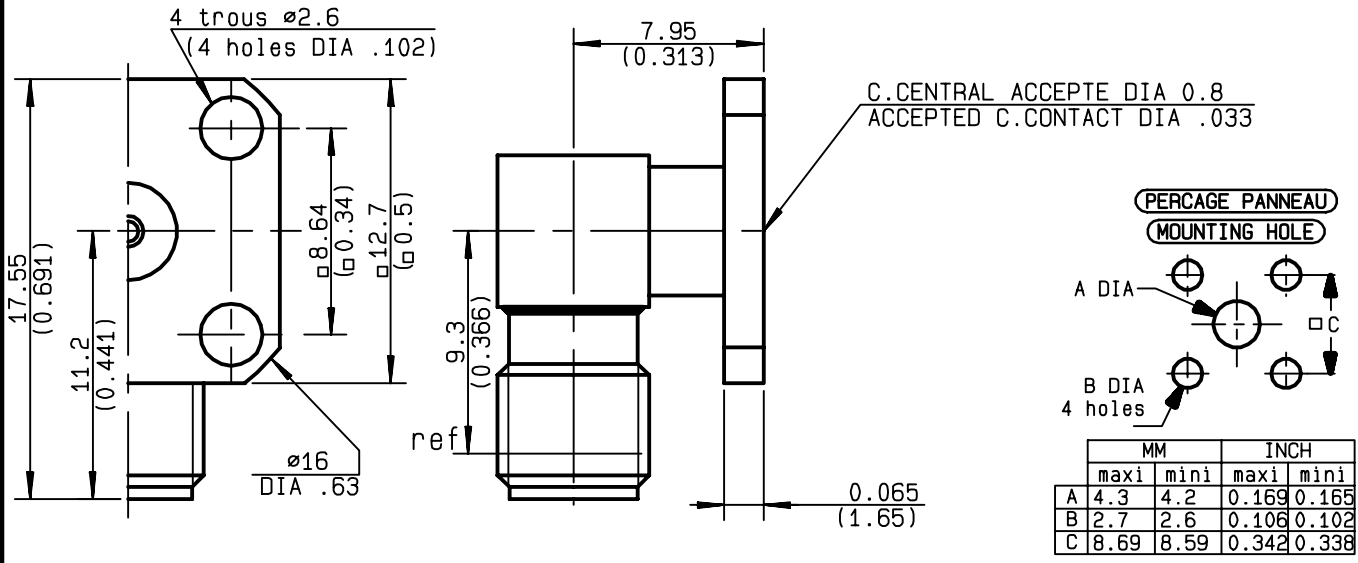


**RIGHT ANGLE SQUARE FLANGE JACK RECEPT.
WITH AUXILLIARY CONTACT**

R125.670.001
SERIES SMA



NOMINAL IMPEDANCE	50 Ω	CABLES :	
FREQUENCY RANGE	0-18 GHz		
TEMPERATURE RATING	-65/+165 °C		
V.S.W.R	1.065 + .0025 x F(GHz)Maxi		
RF INSERTION LOSS	0.07 √F(GHz) dB Maxi		
VOLTAGE RATING	500 Veff Maxi		
DIELECTRIC WITHSTANDING VOLTAGE	1000 Veff Mini		
INSULATION RESISTANCE	5000 MΩMini		
HERMETIC SEAL	NA Atm.cm ³ /s		
LEAKAGE (pressurized only)	NA		
MECHANICAL DURABILITY	500 Cycles	OTHERS CHARACTERISTICS	
WEIGHT	gr	CABLE RETENTION	NA N Mini
SPECIFICATION		CENTER CONTACT RETENTION	
		Axial force - mating end	27 N Mini
		Axial force - opposite end	27 N Mini
		Torque	2.8 cm.N Mini
		RECOMMENDED TORQUES	
		Mating	NA cm.N
		Panel nut	NA cm.N
		Clamp nut	NA cm.N

CONNECTOR PARTS	MATERIALS	FINISH	(all values are given in micrometers)
BODY	STAINLESS STEEL	PASSIVATED	
OUTER CONTACT			
CENTER CONTACT	BERYLLIUM COPPER	GOLD 1.3 OVER NICKEL 2	
INSULATOR	PTFE	-	
GASKET		-	
OTHERS PIECES			

ISSUE	CREATION DATE	FILE PART-NUMBER	
9840E01	01/10/1988		

AGRIODOS

The information given here is subject to change without notice. Design changes may be in order to improve the product.

Connect to the future