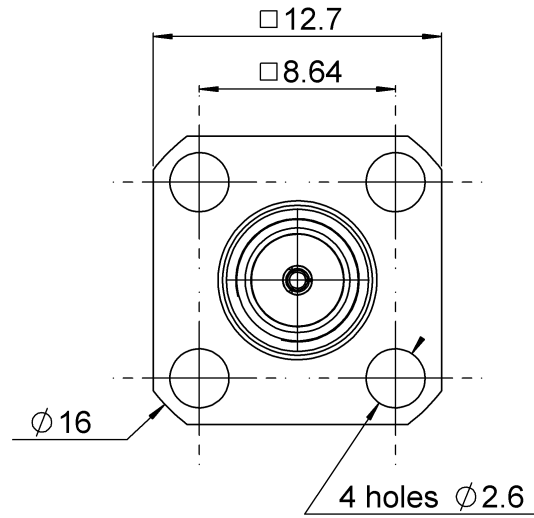
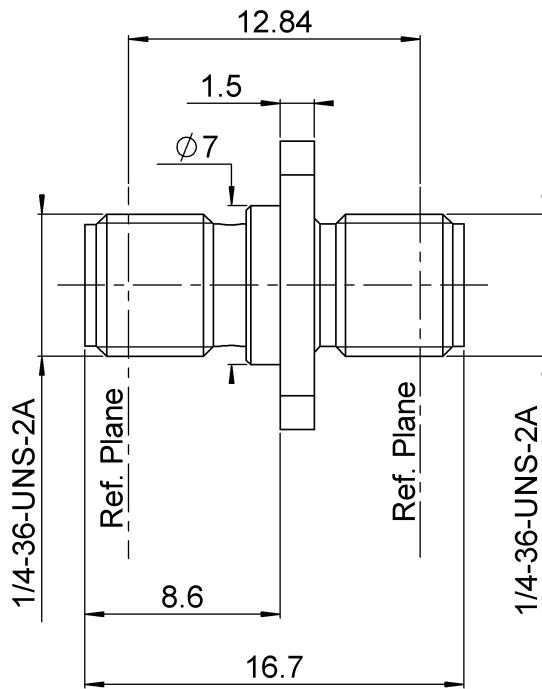
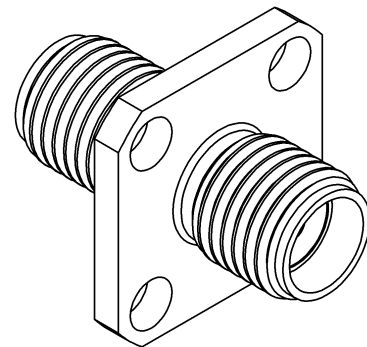
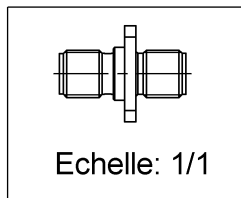


PAGE 1/2	ISSUE 23-04-15A	SERIES SMA	PART NUMBER R125710021
----------	-----------------	------------	------------------------

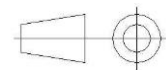


PANEL CUT OUT

	mm	
	Maxi	mini
A	7.3	7.2
B	2.7	2.6
C	8.69	8.59



All dimensions are in mm.



COMPONENTS	MATERIALS	PLATING (µm)
Body	STAINLESS STEEL	PASSIVATED.
Center contact	BERYLLIUM COPPER	GOLD 1.3 OVER NICKEL2
Outer contact	-	-
Insulator	PTFE	-
Gasket	-	-
Others parts	-	-
-	-	-
-	-	-

PAGE 2/2	ISSUE 23-04-15A	SERIES SMA	PART NUMBER R125710021
----------	------------------------	-------------------	-------------------------------

PACKAGING

Standard	Unit	Other
100	Contact us	Contact us

ELECTRICAL CHARACTERISTICS

Impedance		50	Ω	
Frequency		0-18	GHz	
VSWR	1.06* +	0,0050	x F(GHz) Maxi	
Insertion loss		0.07*	√F(GHz) dB Maxi	
RF leakage	- (90*	- F(GHz) dB Maxi	
Voltage rating		500	Veff Maxi	
Dielectric withstanding voltage		1000	Veff mini	
Insulation resistance		5000	MΩ mini	

ENVIRONMENTAL

Operating temperature	-65/+165	°C
Hermetic seal	NA	Atm.cm3/s
Panel leakage	NA	

MECHANICAL CHARACTERISTICS

Center contact retention			
Axial force – Mating End	27	N mini	
Axial force – Opposite end	27	N mini	
Torque	NA	N.cm mini	
Recommended torque			
Mating		N.cm	
Panel nut		N.cm	
Mating life	500	Cycles mini	
Weight	3,3100	g	

SPECIFICATION

OTHER CHARACTERISTICS

Assembly instruction:

Others:

***Coaxial Transmission Line Only**