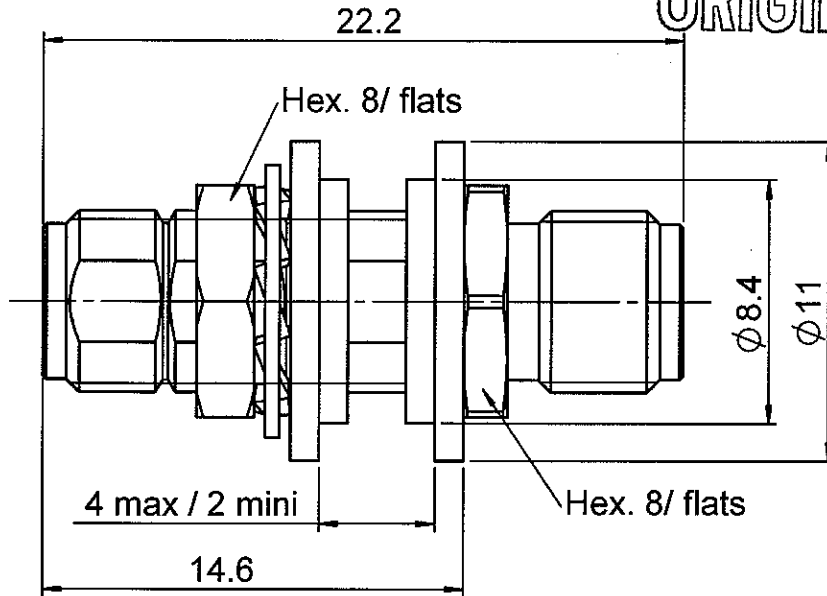


**BULKHEAD FEMALE FEMALE ADAPTOR**  
**PANEL INSULATED**

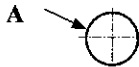
**R125.722.001**

Series : SMA

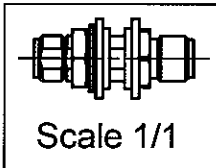
**ORIGINAL**



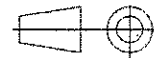
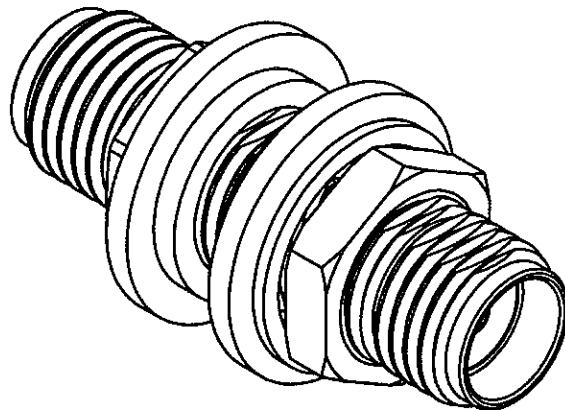
**PANEL CUT OUT**



mm	
	Maxi mini
A	8.6 8.5



All dimensions are in mm.



COMPONENTS	MATERIALS	PLATING (µm)
BODY	STAINLESS STEEL	PASSIVATION
CENTER CONTACT	BERYLLIUM COPPER	GOLD 2.5 OVER NICKEL 2
OUTER CONTACT	-	-
INSULATOR	PTFE	-
GASKET	-	-
OTHERS PARTS	BRASS	NICKEL .
-	-	-
-	-	-

Issue : 9544 A

In the effort to improve our products, we reserve the right to make changes judged to be necessary.



**BULKHEAD FEMALE FEMALE ADAPTOR**

**R125.722.001**

**PANEL INSULATED**

Series : SMA

**ORIGINAL**

**PACKAGING**

**SPECIFICATION**

Standard	Unit	Other
1	-	Contact us

**ELECTRICAL CHARACTERISTICS**

**ENVIRONMENTAL**

Impedance	<b>50</b>	$\Omega$
Frequency	<b>0-18</b>	GHz
VSWR	<b>1.05 + 0.0050</b>	x F(GHz) Maxi
Insertion loss	<b>.06</b>	$\sqrt{F}$ (GHz) dB Maxi
RF leakage	- ( <b>90</b> )	- F(GHz)) dB Maxi
Voltage rating	<b>335</b>	Veff Maxi
Dielectric withstanding voltage	<b>1500</b>	Veff mini
Insulation resistance	<b>5000</b>	M $\Omega$ mini

Operating temperature	<b>-65/+165</b>	$^{\circ}$ C
Hermetic seal	<b>NA</b>	Atm.cm3/s
Panel leakage	<b>NA</b>	

**OTHER CHARACTERISTICS**

Assembly instruction

Others :

**MECHANICAL CHARACTERISTICS**

Center contact retention		
Axial force – Mating end	<b>27</b>	N mini
Axial force – Opposite end	<b>27</b>	N mini
Torque	<b>2.8</b>	N.cm mini
Recommended torque		
Mating	<b>NA</b>	N.cm
Panel nut	<b>150</b>	N.cm
Mating life	<b>0</b>	Cycles mini
Weight	<b>4.695</b>	g

Issue : 9544 A

In the effort to improve our products, we reserve the right to make changes judged to be necessary.



**RADIALL**®