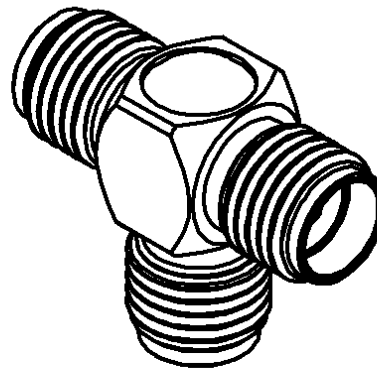
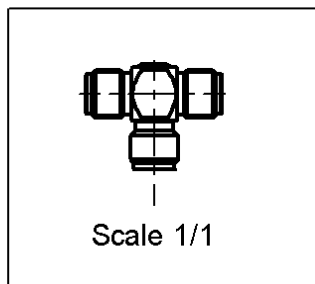
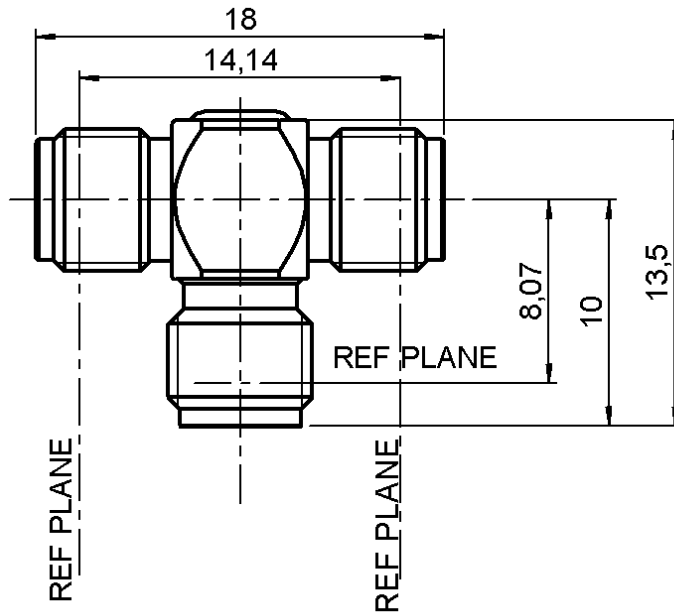


**TEE FEMALE- FEMALE - FEMALE ADAPTOR**

**R125.781.001**

Series : SMA



All dimensions are in mm.

COMPONENTS	MATERIALS	PLATING
BODY	STAINLESS STEEL	PASSIVATED . $\mu\text{m}$
CENTRE CONTACT	BERYLLIUM COPPER	GOLD 1.3 OVER NICKEL 2 $\mu\text{m}$
OUTER CONTACT	-	- $\mu\text{m}$
INSULATOR	PTFE	-
GASKET	-	-
OTHERS PARTS	-	- $\mu\text{m}$
-	-	-
-	-	-



Edition : 9904 E

Design changes may be in order to improve the product.

**TEE FEMALE- FEMALE - FEMALE ADAPTOR**

**R125.781.001**

Series : SMA

**ELECTRICAL CHARACTERISTICS**

Impedance		<b>50</b> Ω
Frequency		<b>0-18</b> GHz
VSWR	<b>NA</b> +	<b>0.000</b> x F(GHz) Maxi
Insertion loss		<b>0.07</b> √F(GHz) dB Maxi
RF leakage	- (	<b>100</b> - F(GHz)) dB mini
Voltage rating		<b>500</b> Veff Maxi
Dielectric withstanding voltage		<b>1000</b> Veff mini
Insulation resistance		<b>5000</b> MΩ mini

**SPECIFICATION**

**ENVIRONMENTAL**

Operating temperature	<b>-65/+165</b> °C
Hermetic seal	<b>NA</b> Atm.cm3/s
Leakage – pressurised only	<b>NA</b> Mpa

**OTHERS CHARACTERISTICS**

Assembly instruction **NA**

Others :  
-

**MECHANICAL CHARACTERISTICS**

Centre contact retention		
Axial force – Mating end		<b>27</b> N mini
Axial force – Opposite end		<b>27</b> N mini
Torque		<b>2.8</b> N.cm mini
Recommended torque		
Mating		<b>NA</b> N.cm
Panel nut		<b>NA</b> N.cm
Mating life		<b>500</b> Cycles mini
Weight		<b>0.000</b> g



**Edition : 9904 E**

Design changes may be in order to improve the product.