

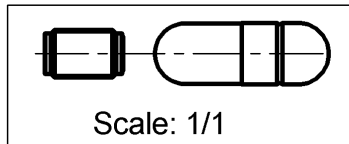
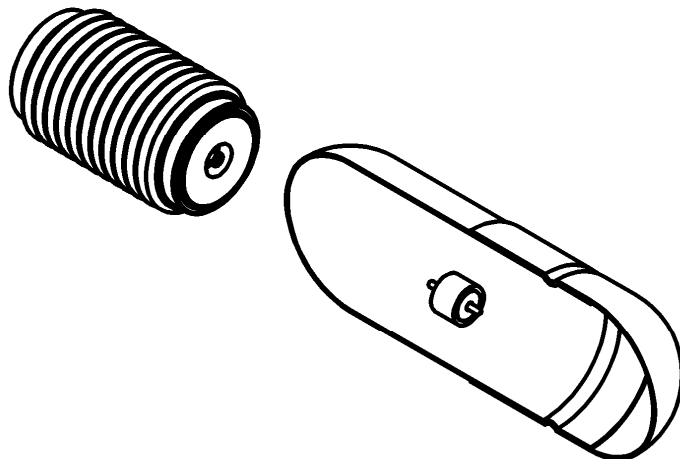
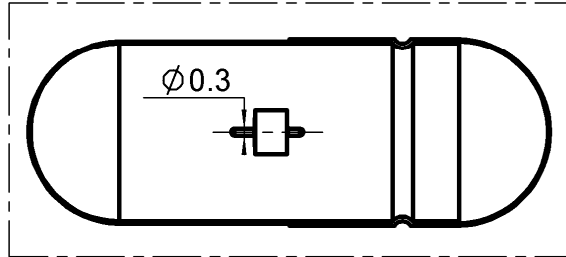
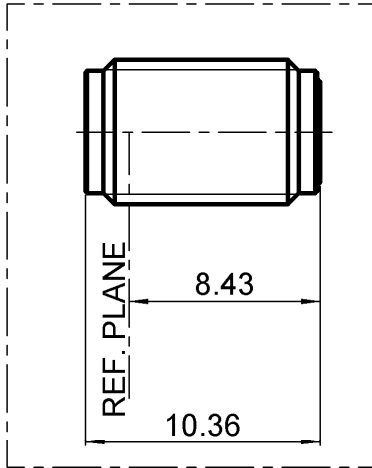
**UNIVERSAL SCREW RECEPTACLE  
FOR AXIS 0.3 MM + GLASS BEAD**

**R127.601.421**

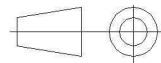
Series : SMA2.9

**CONNECTOR R127.601.001**

**GLASS SEAL R280.760.000**



All dimensions are in mm.



COMPONENTS	MATERIALS	PLATINGS (µm)
BODY	STAINLESS STEEL	PASSIVATED
CENTER CONTACT	BERYLLIUM COPPER, NICKEL STEEL	GOLD 1.3 OVER NICKEL 2
OUTER CONTACT	-	-
INSULATOR	KAPTON + GLASS	-
GASKET	-	-
OTHERS PARTS	BRASS	GOLD 0.2 OVER NICKEL 2
-	-	-
-	-	-

Issue : 1018 B

In the effort to improve our products, we reserve the right to make changes judged to be necessary.



**UNIVERSAL SCREW RECEPTACLE**

**R127.601.421**

**FOR AXIS 0.3 MM + GLASS BEAD**

Series : SMA2.9

**PACKAGING**

**SPECIFICATION**

Standard	Unit	Other
<b>1</b>	-	<b>Contact us</b>

**ELECTRICAL CHARACTERISTICS**

**ENVIRONMENTAL**

Impedance	<b>50</b>	$\Omega$
Frequency	<b>0-46</b>	GHz
VSWR	<b>1.05 + 0,0060</b>	x F(GHz) Maxi
Insertion loss	<b>NA</b>	$\sqrt{F}(\text{GHz})$ dB Maxi
RF leakage	<b>NA</b>	- F(GHz)) dB Maxi
Voltage rating	<b>250</b>	Veff Maxi
Dielectric withstanding voltage	<b>750</b>	Veff mini
Insulation resistance	<b>5000</b>	M $\Omega$ mini

Operating temperature	<b>-65/+165</b>	$^{\circ}\text{C}$
Hermetic seal	<b>NA</b>	Atm.cm3/s
Panel leakage	<b>NA</b>	

**OTHERS CHARACTERISTICS**

Assembly instruction

Others :

**MECHANICAL CHARACTERISTICS**

Center contact retention		
Axial force – Mating end	<b>15</b>	N mini
Axial force – Opposite end	<b>15</b>	N mini
Torque	<b>NA</b>	N.cm mini
Recommended torque		
Mating	<b>NA</b>	N.cm
Panel nut	<b>190</b>	N.cm
Mating life	<b>500</b>	Cycles mini
Weight	<b>1,8930</b>	g

Issue : 1018 B

In the effort to improve our products, we reserve the right to make changes judged to be necessary.

