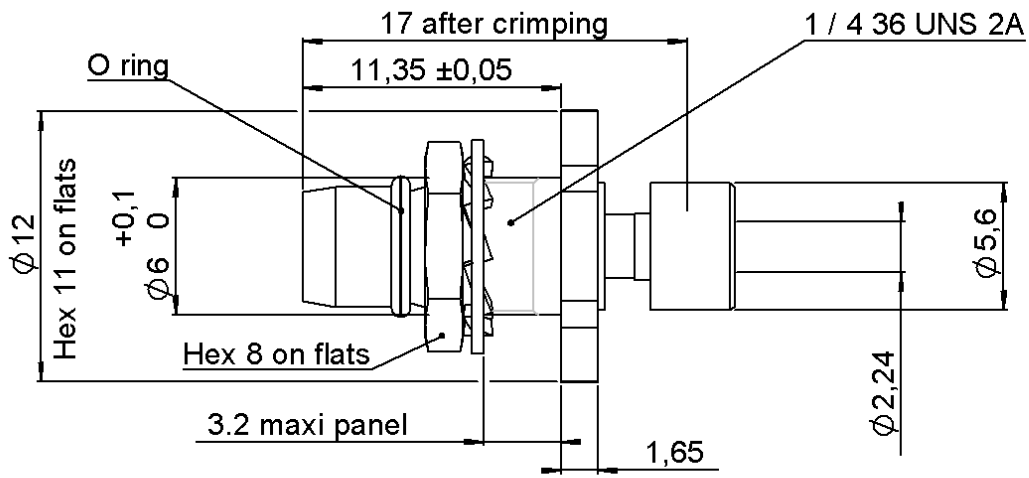
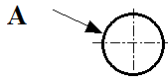


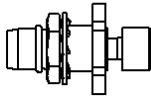
PAGE 1/3	ISSUE 21-02-17A	SERIES BMA	PART NUMBER R128052901
----------	-----------------	------------	------------------------



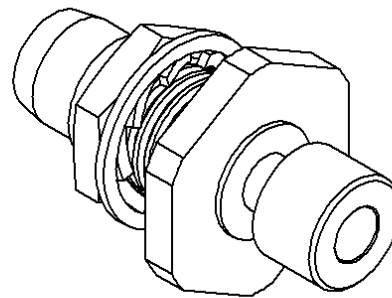
PANEL CUT OUT



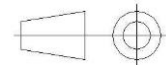
	mm	
	Maxi	mini
A	6.175	6.15



SCALE 1/1



All dimensions are in mm.



COMPONENTS	MATERIALS	PLATING (µm)
Body	STAINLESS STEEL	PASSIVATED
Center contact	BERYLLIUM COPPER	GOLD OVER NICKEL
Outer contact	STAINLESS STEEL	PASSIVATED
Insulator	PTFE	
Gasket	SILICONE RUBBER	
Others parts	STAINLESS STEEL	PASSIVATED
-	-	-
-	-	-

PAGE 2/3	ISSUE 21-02-17A	SERIES BMA	PART NUMBER R128052901
-----------------	------------------------	-------------------	-------------------------------

PACKAGING

Standard 1	Unit Contact us	Other Contact us
----------------------	---------------------------	----------------------------

ELECTRICAL CHARACTERISTICS

Impedance	50	Ω
Frequency	0-22	GHz
VSWR	1.07 + 0,0100	x F(GHz) Maxi
Insertion loss	0.3	√F(GHz) dB Maxi
RF leakage	- (NA)	- F(GHz)) dB Maxi
Voltage rating	350	Veff Maxi
Dielectric withstanding voltage	1000	Veff mini
Insulation resistance	5000	MΩ mini

MECHANICAL CHARACTERISTICS

Center contact retention		
Axial force – Mating End	27	N mini
Axial force – Opposite end	27	N mini
Torque	NA	N.cm mini
Recommended torque		
Mating	NA	N.cm
Panel nut	150	N.cm
Clamp nut	NA	N.cm
A/F clamp nut	0,0000	mm
Mating life	1000	Cycles mini
Weight	5,2330	g

ENVIRONMENTAL

Operating temperature	-65/+125	°C
Hermetic seal	NA	Atm.cm3/s
Panel leakage	NA	

SPECIFICATION

CABLE ASSEMBLY

Stripping	a	b	c	d	e	f
mm	1,78	0	0	0	0	0

Assembly instruction:

Recommended cable(s)

BELN 1671A
RG 405
KS 1

Characteristics indicated on this data sheet are those that can be achieved with the highest performance cable. Intrinsic limitations of the cable may diminish the performance of the assembly

Cable retention

- pull off	136	N mini
- torque	NA	N.cm

TOOLING

Part Number	Description	Hexagon
R282051000	STRIPPING TOOL	
R282062000	POINTER GAUGE	
R282286000	CRIMPING TOOL	
R282708000	POSITIONER	
R282710000	GUIDE	

OTHER CHARACTERISTICS