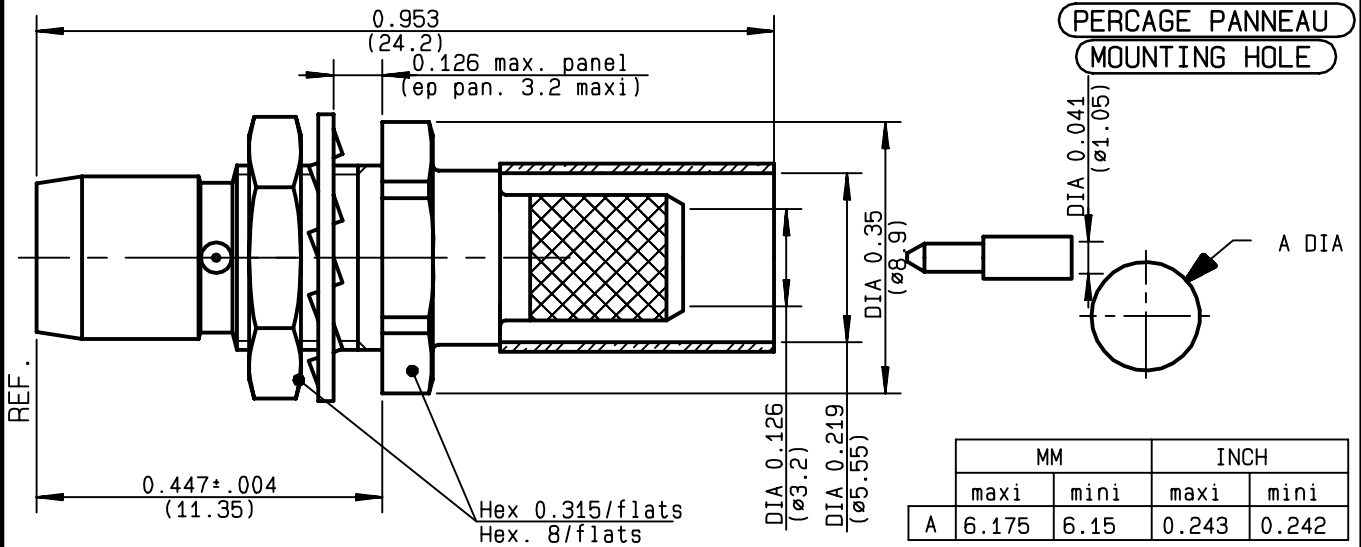


**STRAIGHT BULKHEAD PLUG CRIMP TYPE
CABLE 5/50 D - PACK. 100**

R128.088.827
SERIES BMA COM



NOMINAL IMPEDANCE	50	Ω
FREQUENCY RANGE	0-12.4	GHz
TEMPERATURE RATING	-65/+125	$^{\circ}C$
V.S.W.R	1.15 +	.01 x F(GHz)Maxi
RF INSERTION LOSS	0.03	\sqrt{F} (GHz) dB Maxi
VOLTAGE RATING	350	Veff Maxi
DIELECTRIC WITHSTANDING VOLTAGE	1000	Veff Mini
INSULATION RESISTANCE	5000	M Ω Mini
HERMETIC SEAL	NA	Atm.cm ³ /s
LEAKAGE (pressurized only)	NA	
MECHANICAL DURABILITY	500	Cycles
WEIGHT	3.2	gr
SPECIFICATION		

CABLES : **KX 23**
RG 142
RG 142 FTX
RG 223
RG 400

OTHERS CHARACTERISTICS

CABLE RETENTION	180	N Mini
CENTER CONTACT RETENTION		
Axial force - mating end	18	N Mini
Axial force - opposite end	18	N Mini
Torque	NA	cm.N Mini
RECOMMENDED TORQUES		
Mating	NA	cm.N
Panel nut	150	cm.N
Clamp nut	NA	cm.N

CONNECTOR PARTS	MATERIALS	FINISH	(all values are given in micrometers)
BODY	BRASS	BBR 2	
OUTER CONTACT			
CENTER CONTACT	BRONZE	GOLD 1.3 OVER COPPER 2	
INSULATOR	PTFE	-	
GASKET		-	
OTHERS PIECES	BRASS	BBR 2	

ISSUE	CREATION DATE	FILE PART-NUMBER
9926A01	02/10/1996	EPC96-06



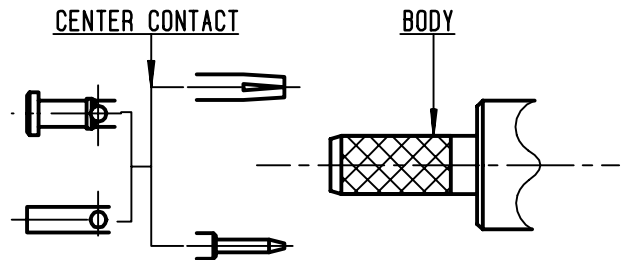
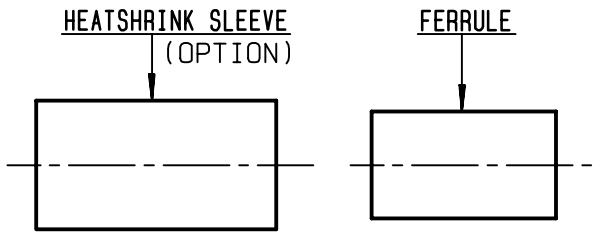
BAFFERT

The information given here is subject to change without notice. Design changes may be in order to improve the product .



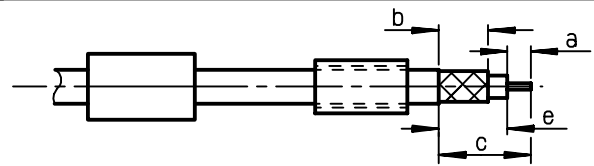
R128.088.827

ISSUE 9926A01 SERIES BMA COM



①

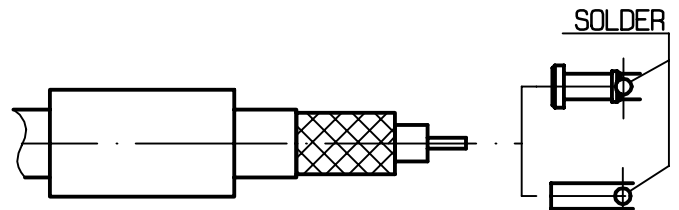
Slide ferrule and heatshrink sleeve onto cable .
(R280 637 030 - Option)
Strip the cable
-



Stripping	a	b	c	d	e
inch	0.083	0.217	0.299	0	0
mm	2.1	5.5	7.6		

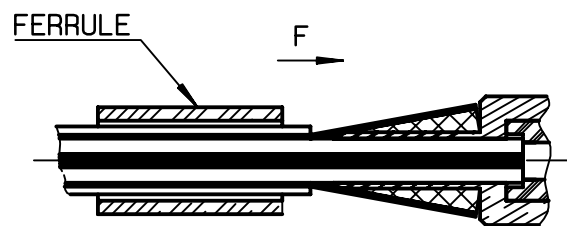
②

Slide center contact on until it bottoms against cable dielectric .
Solder center contact .
Clean soldered area .
-
-



③

Fan the braid .
Slide cable into body until it bottoms against insulator .
Slide ferrule over the braid .
(In direction F)



④

Crimp the ferrule with crimping tool R 282 223 000 (Hex. : 5.41mm) or crimping tool R 282 293 000 (M22520/5-01) + dies R 282 235 011 (M22520/5-11)
Cut the excess of braid if necessary
Slide sleeve over ferrule and heatshrink in place (Option)
-
-

Shrink the heatshrink sleeve

