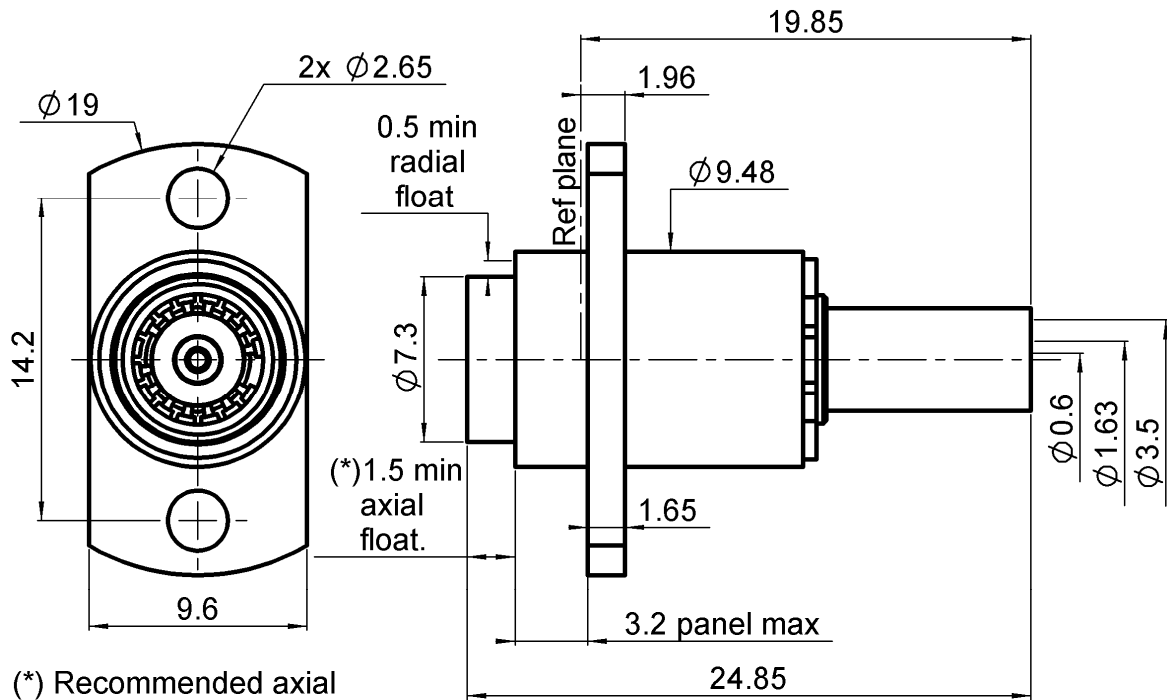


PRISE DROITE A PLATINE FLOTTANTE A

R128.264.707

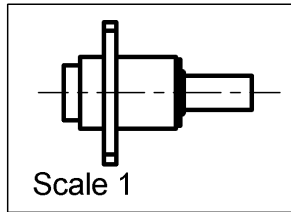
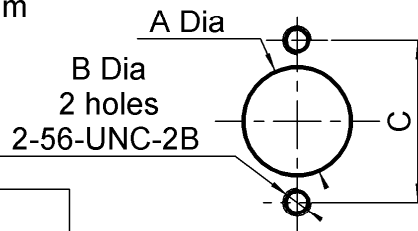
CRIMP TYPE - CABLE 2.6/50 D

Series : **BMA-COM**

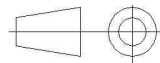
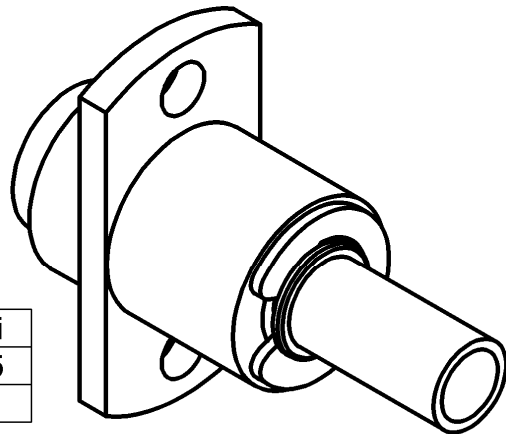


(*) Recommended axial float mount for best electrical performance: 0.51 +/- 0.25 mm (.020" +/- .010)

PANEL DRILLING



	maxi	mini
A	9.6	9.55
C	14.3	14.1



All dimensions are in mm.

COMPONENTS	MATERIALS	PLATING (µm)
BODY	BRASS	BBR2
CENTER CONTACT	BERYLLIUM COPPER, BRASS	NPGR
OUTER CONTACT	BERYLLIUM COPPER	NPGR
INSULATOR	PTFE	
GASKET	-	
OTHERS PARTS	BRASS	BBR2
-	-	-
-	-	-

Issue : 1102 B

In the effort to improve our products, we reserve the right to make changes judged to be necessary.



PRISE DROITE A PLATINE FLOTTANTE A

R128.264.707

CRIMP TYPE - CABLE 2.6/50 D

Series : **BMA-COM**

PACKAGING

SPECIFICATION

Standard	Unit	Other
100	'W' option	Contact us

ELECTRICAL CHARACTERISTICS

ENVIRONMENTAL

Impedance	50	Ω
Frequency	0-12.4	GHz
VSWR	1.12 + 0,0150	x F(GHz) Maxi
Insertion loss	0.03	\sqrt{F} (GHz) dB Maxi
RF leakage	- (70)	- F(GHz)) dB Maxi
Voltage rating	350	Veff Maxi
Dielectric withstanding voltage	1000	Veff mini
Insulation resistance	5000	M Ω mini

Operating temperature	-55/+165	$^{\circ}$ C
Hermetic seal	NA	Atm.cm3/s
Panel leakage	NA	

OTHER CHARACTERISTICS

Assembly instruction **Crimp 01**

Others :

MECHANICAL CHARACTERISTICS

Center contact retention		
Axial force – Mating end	NA	N mini
Axial force – Opposite end	18	N mini
Torque	18	N.cm mini
Recommended torque		
Mating	NA	N.cm
Panel nut	NA	N.cm
Mating life	1000	Cycles mini
Weight	5,7400	g

Issue : 1102 B

In the effort to improve our products, we reserve the right to make changes judged to be necessary.

RADIALL 