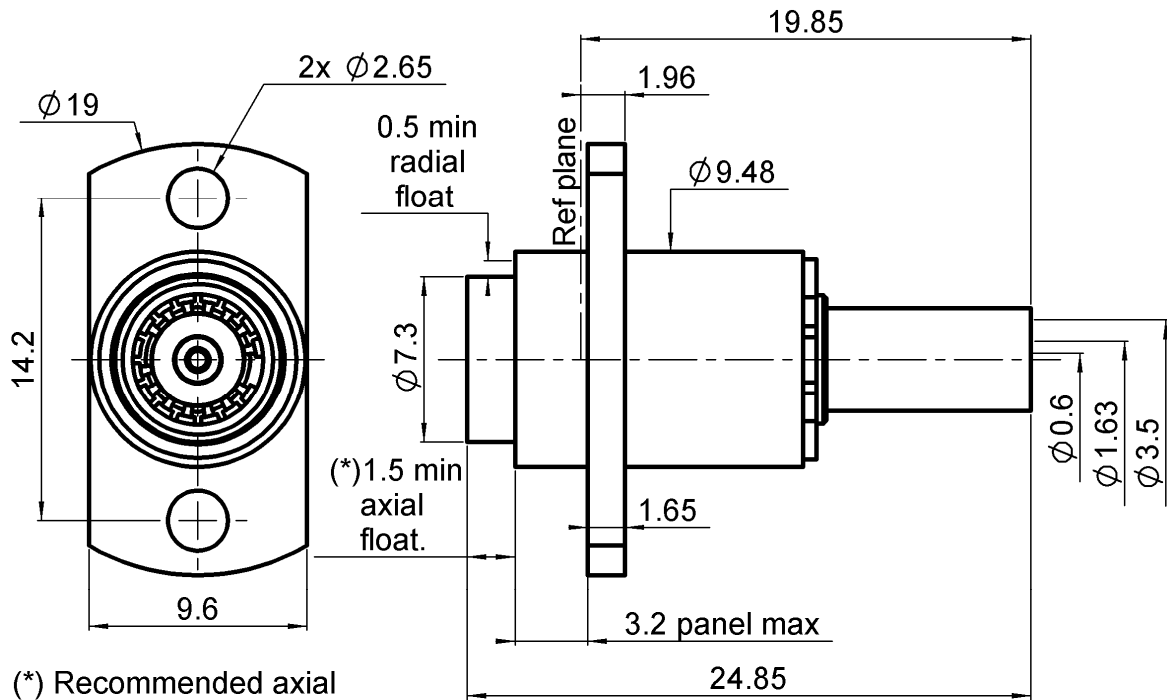


**PRISE DROITE A PLATINE FLOTTANTE A**

**R128.264.707**

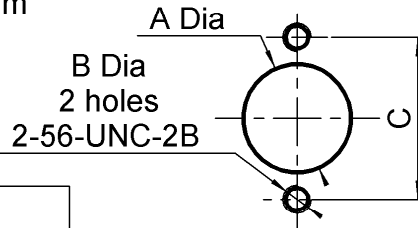
**CRIMP TYPE - CABLE 2.6/50 D**

Series : **BMA-COM**

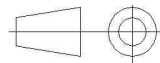
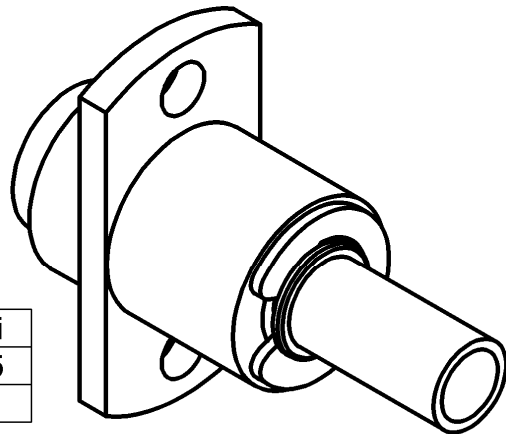
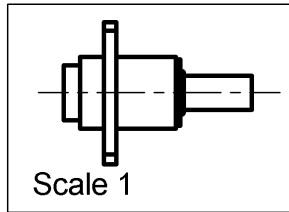


(\*) Recommended axial float mount for best electrical performance: 0.51 +/- 0.25 mm (.020" +/- .010)

**PANEL DRILLING**



	maxi	mini
A	9.6	9.55
C	14.3	14.1



All dimensions are in mm.

COMPONENTS	MATERIALS	PLATING ( $\mu\text{m}$ )
BODY	BRASS	BBR2
CENTER CONTACT	BERYLLIUM COPPER, BRASS	NPGR
OUTER CONTACT	BERYLLIUM COPPER	NPGR
INSULATOR	PTFE	
GASKET	-	
OTHERS PARTS	BRASS	BBR2
-	-	-
-	-	-

Issue : 1102 B

In the effort to improve our products, we reserve the right to make changes judged to be necessary.



**PRISE DROITE A PLATINE FLOTTANTE A**

**R128.264.707**

**CRIMP TYPE - CABLE 2.6/50 D**

Series : **BMA-COM**

**PACKAGING**

**SPECIFICATION**

Standard	Unit	Other
<b>100</b>	<b>'W' option</b>	<b>Contact us</b>

**ELECTRICAL CHARACTERISTICS**

**ENVIRONMENTAL**

Impedance	<b>50</b>	$\Omega$
Frequency	<b>0-12.4</b>	GHz
VSWR	<b>1.12 + 0,0150</b>	x F(GHz) Maxi
Insertion loss	<b>0.03</b>	$\sqrt{F}(\text{GHz})$ dB Maxi
RF leakage	- ( <b>70</b> )	- F(GHz)) dB Maxi
Voltage rating	<b>350</b>	Veff Maxi
Dielectric withstanding voltage	<b>1000</b>	Veff mini
Insulation resistance	<b>5000</b>	M $\Omega$ mini

Operating temperature	<b>-55/+165</b>	$^{\circ}\text{C}$
Hermetic seal	<b>NA</b>	Atm.cm <sup>3</sup> /s
Panel leakage	<b>NA</b>	

**OTHER CHARACTERISTICS**

Assembly instruction **Crimp 01**

Others :

**MECHANICAL CHARACTERISTICS**

Center contact retention		
Axial force – Mating end	<b>NA</b>	N mini
Axial force – Opposite end	<b>18</b>	N mini
Torque	<b>18</b>	N.cm mini
Recommended torque		
Mating	<b>NA</b>	N.cm
Panel nut	<b>NA</b>	N.cm
Mating life	<b>1000</b>	Cycles mini
Weight	<b>5,7400</b>	g

**Issue : 1102 B**

In the effort to improve our products, we reserve the right to make changes judged to be necessary.

**RADIALL** 