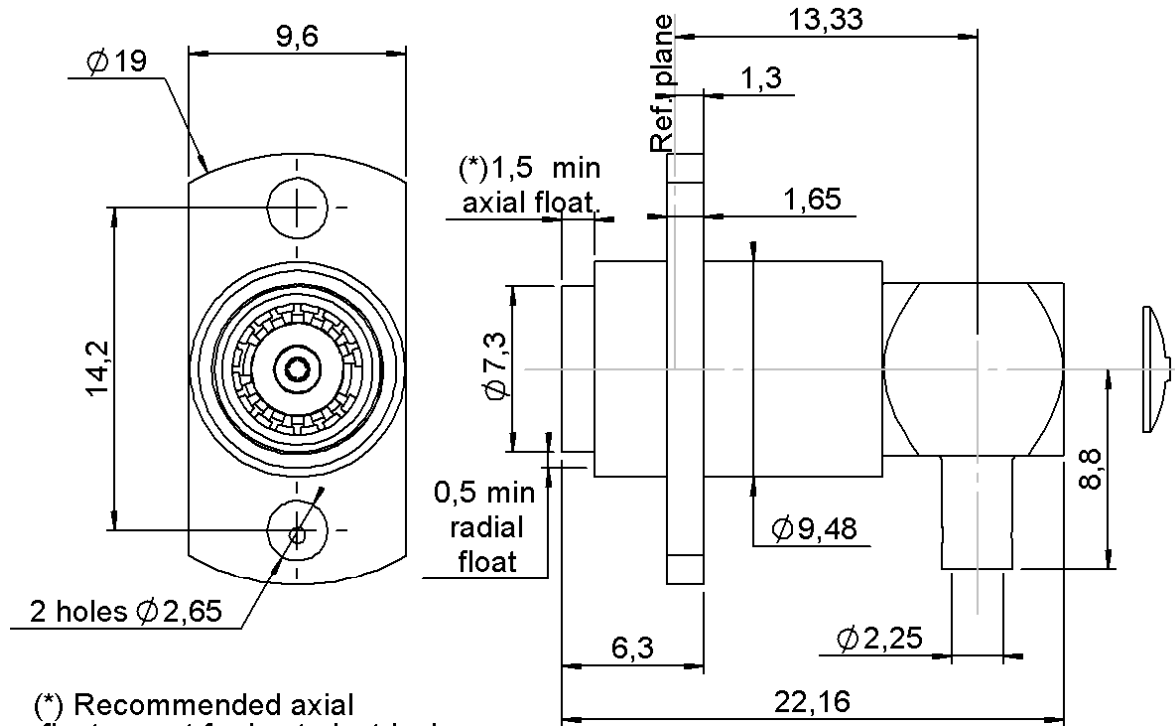


**RIGHT ANGLE 2 HOLES FLANGE FLOATING JACK**

**R128.360.717**

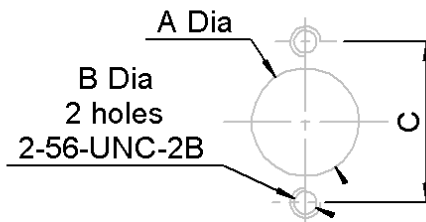
**SOLDER TYPE CABLE .085**

Series : **BMA-COM**

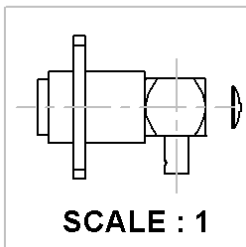


(\*) Recommended axial float mount for best electrical performance:  
0.51 +/- 0.25 mm (.020" +/- .010)

**PANEL DRILLING**



	maxi	mini
A	9.6	9.55
C	14.3	14.1



All dimensions are in mm.



COMPONENTS	MATERIALS	PLATING (µm)
BODY	BRASS	BBR2
CENTER CONTACT	BERYLLIUM COPPER, BRASS	NPGR
OUTER CONTACT	BERYLLIUM COPPER	NPGR
INSULATOR	PTFE	
GASKET	-	
OTHERS PARTS	BRASS	BBR2
-	-	-
-	-	-

Issue : 1408      B

In the effort to improve our products, we reserve the right to make changes judged to be necessary.



**RIGHT ANGLE 2 HOLES FLANGE FLOATING JACK**

**R128.360.717**

**SOLDER TYPE CABLE .085**

Series : **BMA-COM**

**PACKAGING**

Standard	Unit	Other
<b>100</b>	<b>'W' option</b>	<b>Contact us</b>

**SPECIFICATION**

**ELECTRICAL CHARACTERISTICS**

Impedance		<b>50</b> Ω
Frequency		<b>0-12.4</b> GHz
VSWR	<b>1.15 +</b>	<b>0,0250</b> x F(GHz) Maxi
Insertion loss		<b>0.07</b> √F(GHz) dB Maxi
RF leakage	- (	<b>90</b> - F(GHz)) dB Maxi
Voltage rating		<b>350</b> Veff Maxi
Dielectric withstanding voltage		<b>1000</b> Veff mini
Insulation resistance		<b>5000</b> MΩ mini

**CABLE ASSEMBLY**

Stripping	a	b	c	d	e	f
mm	4,30	1,40	0,00	0,00	0,00	0,00

Assembly instruction :

Recommended cable(s)

RG 405

KS 1

Characteristics indicated on this data sheet are those that can be achieved with the highest performance cable. Intrinsic limitations of the cable may diminish the performance of the assembly

Cable retention

- pull off	<b>136</b> N mini
- torque	<b>NA</b> N.cm

**MECHANICAL CHARACTERISTICS**

Center contact retention		
Axial force – Mating end	<b>18</b> N mini	
Axial force – Opposite end	<b>18</b> N mini	
Torque	<b>NA</b> N.cm mini	

**TOOLING**

Part Number	Description	Hexagon
R282740000	SOLDERING MOUNTING	

Recommended torque		
Mating	<b>NA</b> N.cm	
Panel nut	<b>NA</b> N.cm	
Clamp nut	<b>NA</b> N.cm	
A/F clamp nut	<b>0,0000</b> mm	

**OTHER CHARACTERISTICS**

Mating life	<b>1000</b> Cycles mini
Weight	<b>7,8320</b> g

**It is recommended to use a service loop to facilitate the float features of the connector**

**ENVIRONMENTAL**

Operating temperature	<b>-65/+150</b> °C
Hermetic seal	<b>NA</b> Atm.cm3/s
Panel leakage	<b>NA</b>

Issue : **1408**      **B**

In the effort to improve our products, we reserve the right to make changes judged to be necessary.

