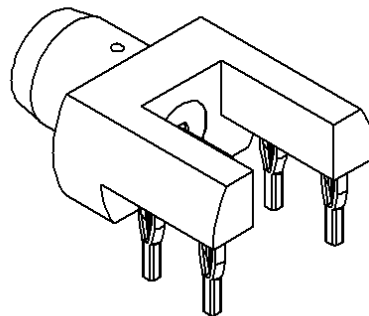
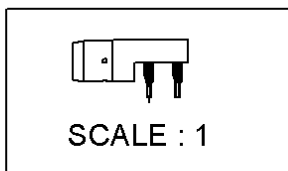
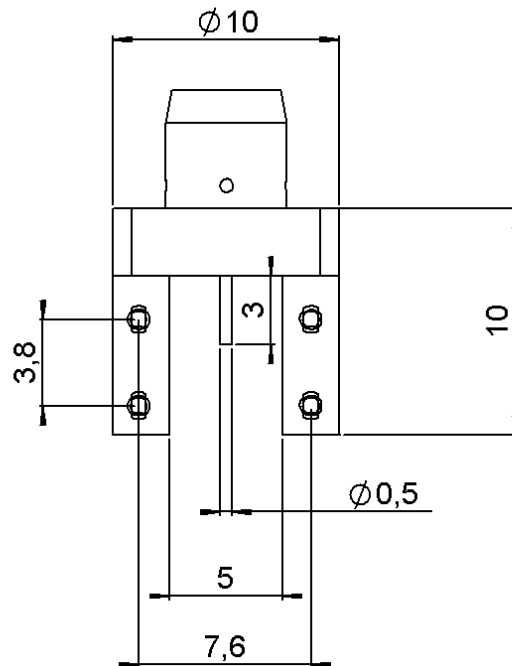
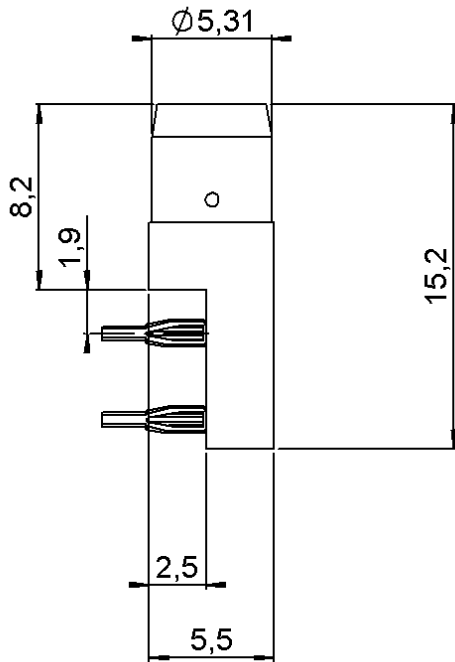


**STRAIGHT RECEPTACLE PRESS FIT EDGE-CARD**

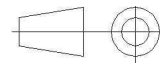
**R128.405.161**

**PACK 100**

Series : BMA



All dimensions are in mm.



COMPONENTS	MATERIALS	PLATINGS (µm)
BODY	BRASS	GOLD OVER NICKEL
CENTER CONTACT	BRASS	GOLD OVER NICKEL
OUTER CONTACT	-	-
INSULATOR	PTFE	-
GASKET	-	-
OTHERS PARTS	PHOSPHOR BRONZE	TIN 3 OVER NICKEL 2
.	.	.
.	.	.

Issue : 0713 D

In the effort to improve our products, we reserve the right to make changes judged to be necessary.



**STRAIGHT RECEPTACLE PRESS FIT EDGE-CARD**

**R128.405.161**

**PACK 100**

Series : **BMA**

**PACKAGING**

**SPECIFICATION**

Standard	Unit	Other
<b>100</b>	<b>'W' option</b>	<b>Contact us</b>

**ELECTRICAL CHARACTERISTICS**

**ENVIRONMENTAL**

Impedance **50**  $\Omega$   
 Frequency **0-6** GHz  
 VSWR **NA + 0,0000** x F(GHz) Maxi  
 Insertion loss -  $\sqrt{F}$ (GHz) dB Maxi  
 RF leakage - ( - F(GHz)) dB Maxi  
 Voltage rating **350** Veff Maxi  
 Dielectric withstanding voltage **1000** Veff mini  
 Insulation resistance **5000** M $\Omega$  mini

Operating temperature **-65/+125** ° C  
 Hermetic seal **NA** Atm.cm3/s  
 Panel leakage **NA**

**OTHERS CHARACTERISTICS**

Assembly instruction **NA**

Others :  
 Temperature stockage :-40 / +85

**MECHANICAL CHARACTERISTICS**

Center contact retention  
 Axial force – Mating end **27** N mini  
 Axial force – Opposite end **8** N mini  
 Torque **NA** N.cm mini

Recommended torque  
 Mating **NA** N.cm  
 Panel nut **NA** N.cm

Mating life **0** Cycles mini  
 Weight **12,4440** g

Issue : 0713 D

In the effort to improve our products, we reserve the right to make changes judged to be necessary.

