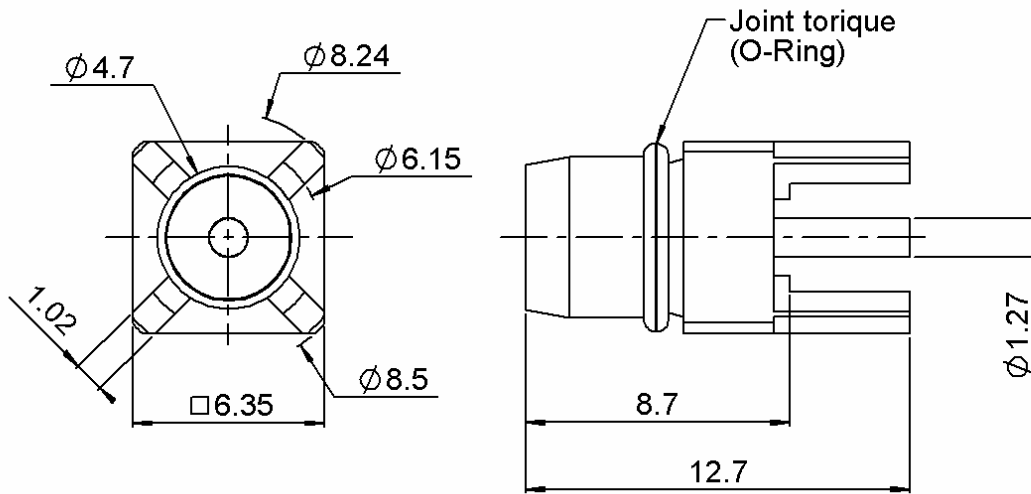


STRAIGHT PCB RECEPTACLE

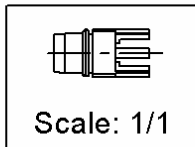
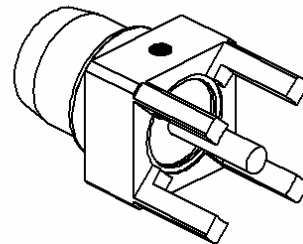
R128.425.300

Series : **BMA**

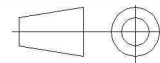


PANEL CUT OUT

	mm	
	Maxi	mini
A	-	1.3
B	-	1.7
C	5.13	5.03



All dimensions are in mm.



COMPONENTS	MATERIALS	PLATING (µm)
BODY	STAINLESS STEEL	GOLD 0.5 OVER NICKEL 2
CENTER CONTACT	BERYLLIUM COPPER	GOLD 1.3 OVER NICKEL 2
OUTER CONTACT	-	-
INSULATOR	PTFE	-
GASKET	SILICONE RUBBER	-
OTHERS PARTS	-	-
-	-	-
-	-	-

Issue : 1149 B

In the effort to improve our products, we reserve the right to make changes judged to be necessary.



STRAIGHT PCB RECEPTACLE

R128.425.300

Series : **BMA**

PACKAGING

SPECIFICATION

Standard	Unit	Other
100	'W' option	Contact us

ELECTRICAL CHARACTERISTICS

ENVIRONMENTAL

Impedance	50	Ω
Frequency	0-22	GHz
VSWR	- + 0,0000	x F(GHz) Maxi
Insertion loss	-	\sqrt{F} (GHz) dB Maxi
RF leakage	- (- F(GHz)) dB Maxi
Voltage rating	350	Veff Maxi
Dielectric withstanding voltage	1000	Veff mini
Insulation resistance	5000	M Ω mini

Operating temperature	-65/+125	$^{\circ}$ C
Hermetic seal	-	Atm.cm3/s
Panel leakage	-	

OTHER CHARACTERISTICS

Assembly instruction

Others :

MECHANICAL CHARACTERISTICS

Center contact retention		
Axial force – Mating end	27	N mini
Axial force – Opposite end	27	N mini
Torque	NA	N.cm mini
Recommended torque		
Mating	-	N.cm
Panel nut	-	N.cm
Mating life	1000	Cycles mini
Weight	0,2100	g

Issue : 1149 B

In the effort to improve our products, we reserve the right to make changes judged to be necessary.

