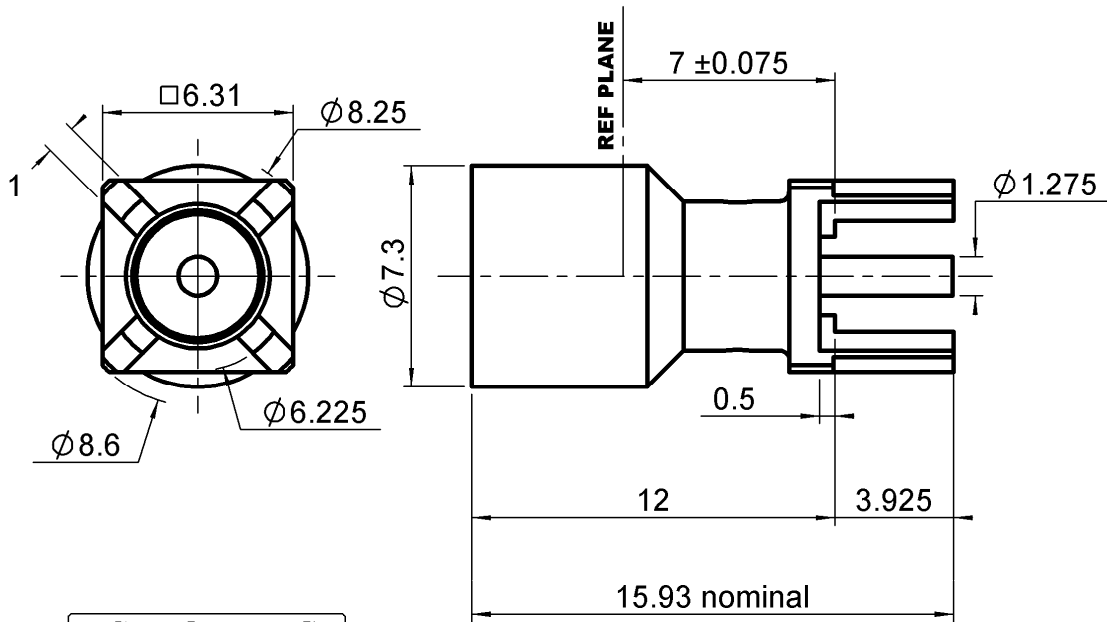


FEMALE STRAIGHT RECEPTACLE FOR PCB

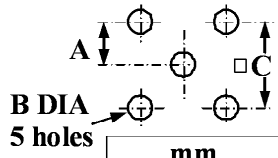
R128.426.700

SOLDER LEGS

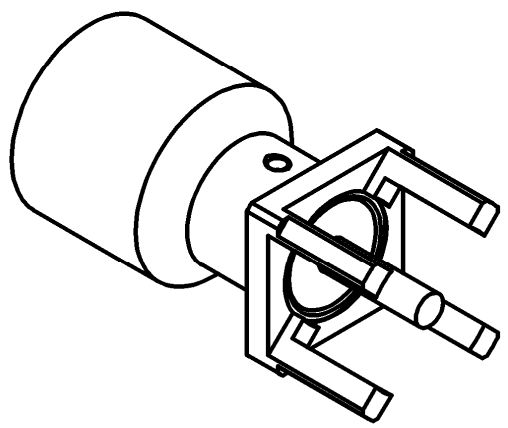
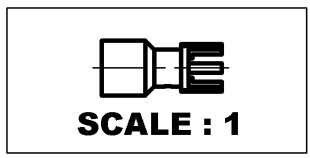
Series : BMA-COM



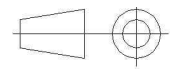
PCB MOUNTING



	mm	
	Maxi	mini
A	2.59	2.49
B	1.7	1.6
C	5.13	5.03



All dimensions are in mm.



COMPONENTS	MATERIALS	PLATING (µm)
BODY	BRASS	NICKEL-2 GOLD-0.2
CENTER CONTACT	BERYLLIUM COPPER	NPGR
OUTER CONTACT	BERYLLIUM COPPER	NPGR
INSULATOR	PTFE	
GASKET	-	
OTHERS PARTS	-	
-	-	
-	-	

Issue : 0941 B

In the effort to improve our products, we reserve the right to make changes judged to be necessary.



FEMALE STRAIGHT RECEPTACLE FOR PCB

R128.426.700

SOLDER LEGS

Series : **BMA-COM**

PACKAGING

SPECIFICATION

Standard	Unit	Other
100	'W' option	Contact us

ELECTRICAL CHARACTERISTICS

ENVIRONMENTAL

Impedance	50	Ω
Frequency	0-22	GHz
VSWR	1.25* + 0,0000	x F(GHz) Maxi
Insertion loss	0.07*	\sqrt{F} (GHz) dB Maxi
RF leakage	- (90*	- F(GHz)) dB Maxi
Voltage rating	350	Veff Maxi
Dielectric withstanding voltage	1000	Veff mini
Insulation resistance	5000	M Ω mini

Operating temperature	-65/+165	$^{\circ}$ C
Hermetic seal	NA	Atm.cm3/s
Panel leakage	NA	

OTHER CHARACTERISTICS

Assembly instruction

Others :

*R.O.S 1.25 Maxi à 10 GHz
Coaxial transmission line only

MECHANICAL CHARACTERISTICS

Center contact retention		
Axial force – Mating end	18	N mini
Axial force – Opposite end	18	N mini
Torque	NA	N.cm mini
Recommended torque		
Mating	NA	N.cm
Panel nut	NA	N.cm
Mating life	1000	Cycles mini
Weight	1,8100	g

Issue : 0941 B

In the effort to improve our products, we reserve the right to make changes judged to be necessary.

RADIALL 

PRELIMINARY