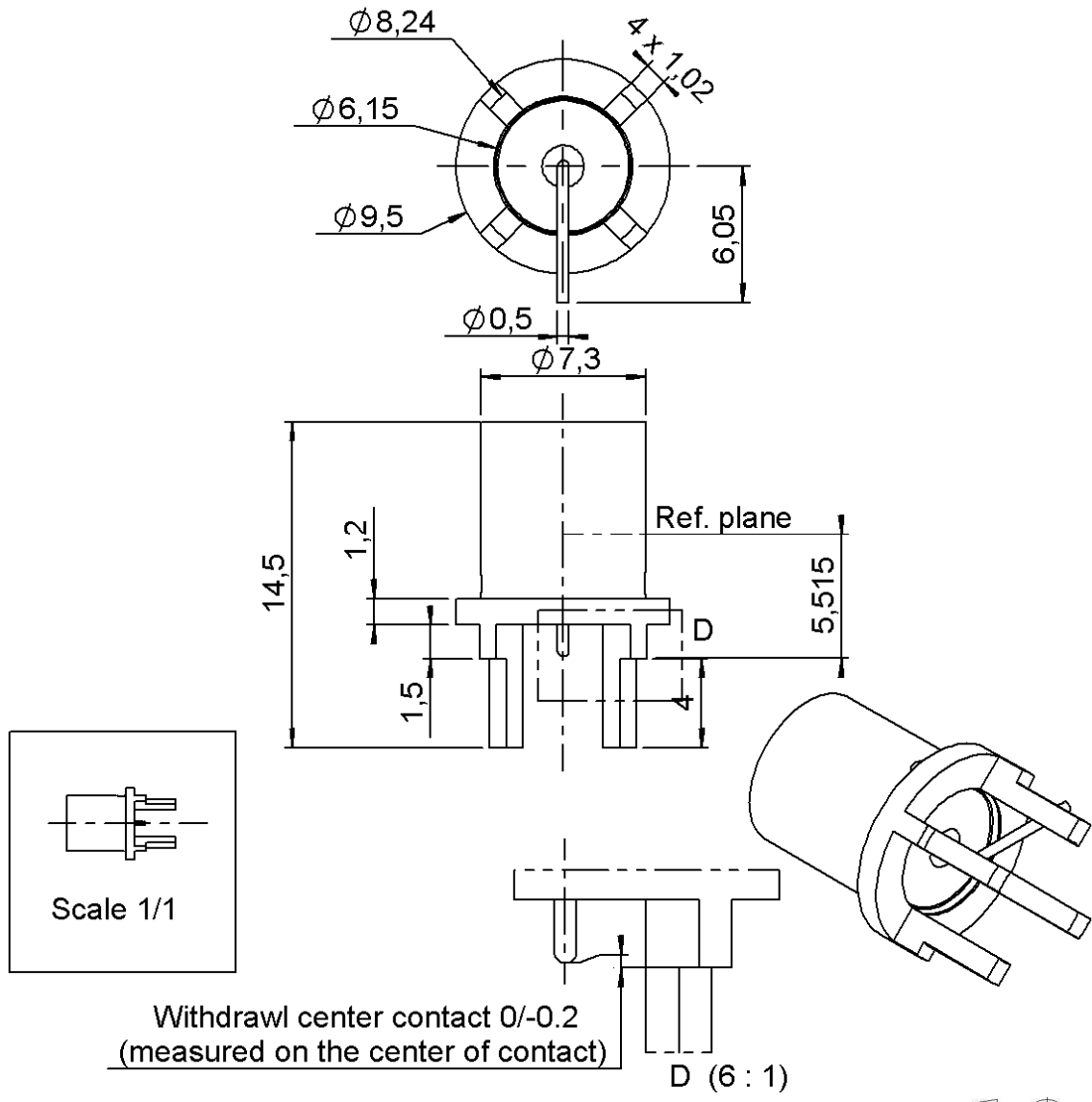


STRAIGHT JACK RECEPTACLE FOR PCB

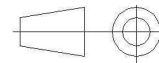
R128.427.700

SOLDER LEGS

Series : BMA



All dimensions are in mm.



COMPONENTS	MATERIALS	PLATING (µm)
BODY	STAINLESS STEEL	GOLD 0.5 OVER NICKEL 2
CENTER CONTACT	BERYLLIUM COPPER	GOLD 1.3 OVER NICKEL 2
OUTER CONTACT	BERYLLIUM COPPER	NPGR
INSULATOR	PTFE	
GASKET	-	
OTHERS PARTS	-	
-	-	
-	-	

Issue : 1406 D

In the effort to improve our products, we reserve the right to make changes judged to be necessary.



STRAIGHT JACK RECEPTACLE FOR PCB

R128.427.700

SOLDER LEGS

Series : **BMA**

PACKAGING

SPECIFICATION

Standard	Unit	Other
100	'W' option	Contact us

ELECTRICAL CHARACTERISTICS

ENVIRONMENTAL

Impedance	50	Ω
Frequency	0-2	GHz
VSWR	1.2 + 0,0000	x F(GHz) Maxi
Insertion loss	0.07	$\sqrt{F}(\text{GHz})$ dB Maxi
RF leakage	- (90*	- F(GHz)) dB Maxi
Voltage rating	500	Veff Maxi
Dielectric withstanding voltage	1500	Veff mini
Insulation resistance	5000	M Ω mini

Operating temperature	-65/+165	$^{\circ}\text{C}$
Hermetic seal	NA	Atm.cm3/s
Panel leakage	NA	

OTHER CHARACTERISTICS

Assembly instruction

Others :

*Coaxial transmission line only

MECHANICAL CHARACTERISTICS

Center contact retention		
Axial force – Mating end	27	N mini
Axial force – Opposite end	27	N mini
Torque	NA	N.cm mini
Recommended torque		
Mating	NA	N.cm
Panel nut	NA	N.cm
Mating life	1000	Cycles mini
Weight	1,8000	g

Issue : 1406 D

In the effort to improve our products, we reserve the right to make changes judged to be necessary.



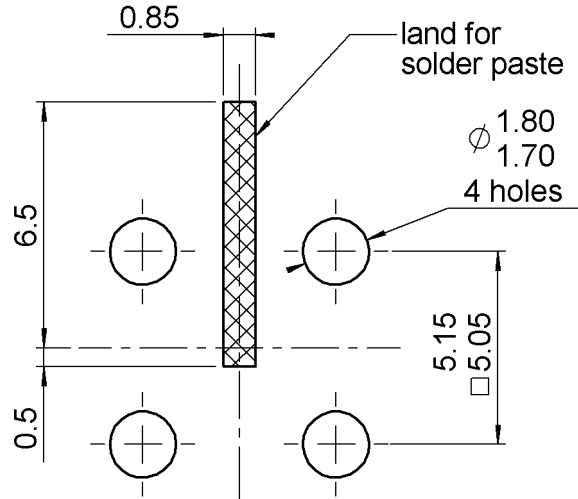
STRAIGHT JACK RECEPTACLE FOR PCB

R128.427.700

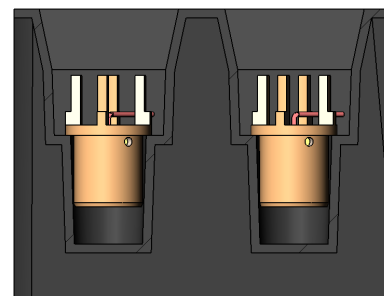
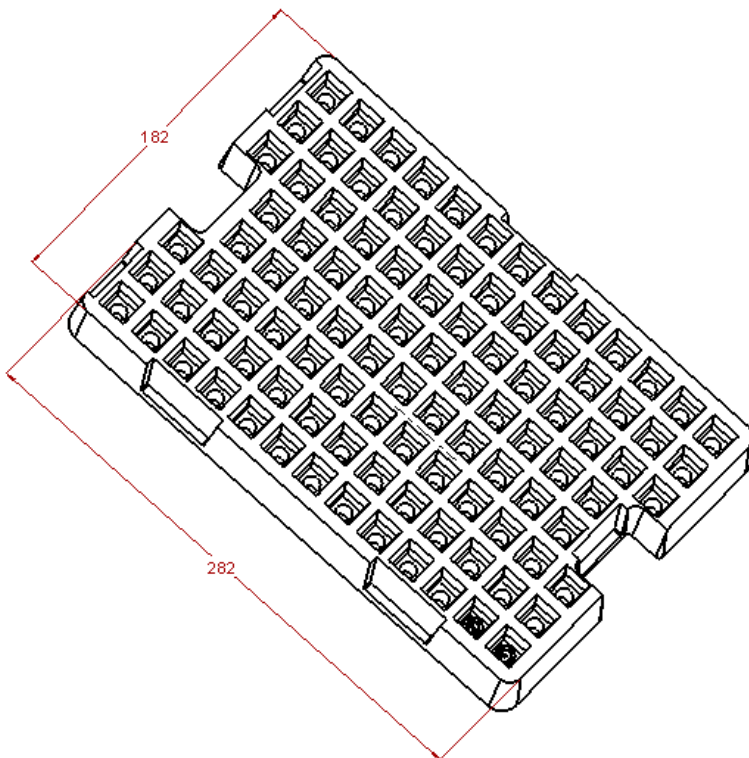
SOLDER LEGS

Series : BMA

PCB



PACKAGING



Issue : 1406 D

In the effort to improve our products, we reserve the right to make changes judged to be necessary.

