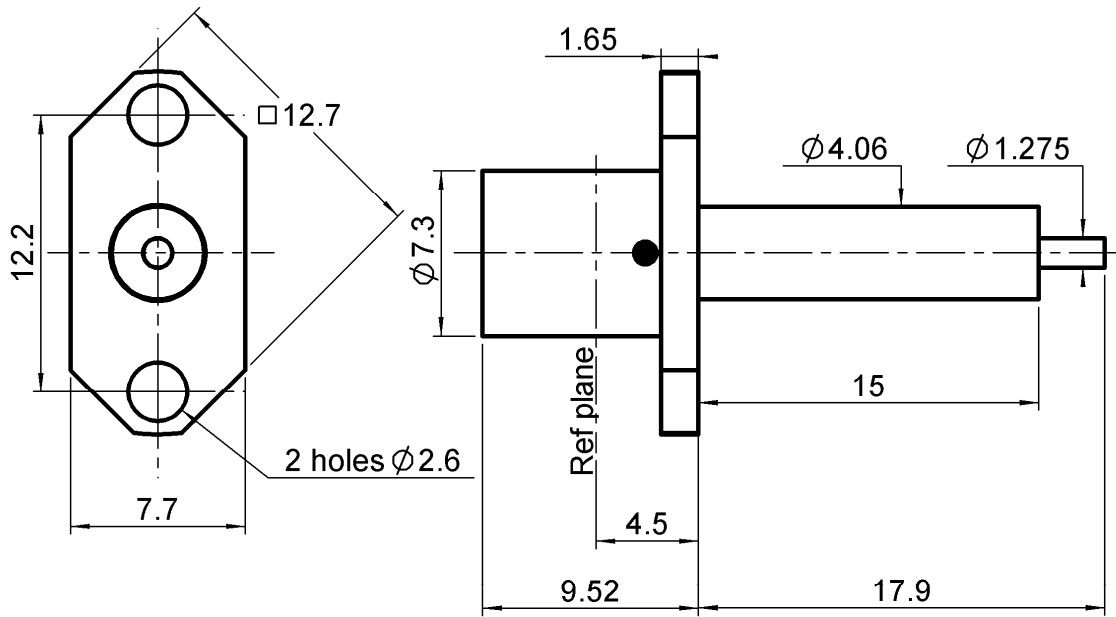


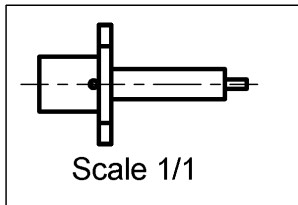
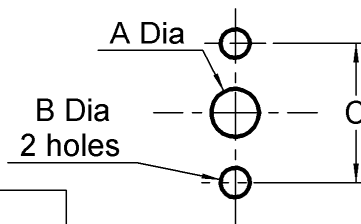
**ADJUST.2 HOLES FLANGE JACK RECEPTACLE
WITH CYLINDRICAL CONTACT.**

R128.464.701

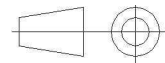
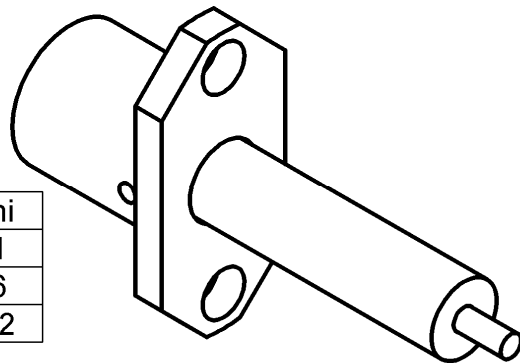
Series : BMA



PANEL DRILLING



| | maxi | mini |
|---|------|------|
| A | 4.14 | 4.1 |
| B | 2.8 | 2.6 |
| C | 12.3 | 12.2 |



All dimensions are in mm.

| COMPONENTS | MATERIALS | PLATING (µm) |
|----------------|------------------|-----------------------|
| BODY | STAINLESS STEEL | PASSIVATION |
| CENTER CONTACT | BERYLLIUM COPPER | GOLD 1.3 OVER NICKEL2 |
| OUTER CONTACT | BERYLLIUM COPPER | NPGR |
| INSULATOR | PTFE | |
| GASKET | - | - |
| OTHERS PARTS | - | - |
| - | - | - |
| - | - | - |

Issue : 0941 C

In the effort to improve our products, we reserve the right to make changes judged to be necessary.



**ADJUST.2 HOLES FLANGE JACK RECEPTACLE
WITH CYLINDRICAL CONTACT.**

R128.464.701

Series : **BMA**

PACKAGING

| Standard | Unit | Other |
|------------|-------------------|-------------------|
| 100 | 'W' option | Contact us |

SPECIFICATION

ELECTRICAL CHARACTERISTICS

| | | |
|---------------------------------|----------------|-----------------------------|
| Impedance | | 50 Ω |
| Frequency | | 0-22 GHz |
| VSWR | 1.25* + | 0,0000 x F(GHz) Maxi |
| Insertion loss | | 0.07 √F(GHz) dB Maxi |
| RF leakage | - (| 80 - F(GHz)) dB Maxi |
| Voltage rating | | 500 Veff Maxi |
| Dielectric withstanding voltage | | 1500 Veff mini |
| Insulation resistance | | 5000 MΩ mini |

CABLE ASSEMBLY

| Stripping | a | b | c | d | e | f |
|-----------|------|------|------|------|------|------|
| mm | 0,00 | 0,00 | 0,00 | 0,00 | 0,00 | 0,00 |

Assembly instruction :

Recommended cable(s)

Characteristics indicated on this data sheet are those that can be achieved with the highest performance cable. Intrinsic limitations of the cable may diminish the performance of the assembly

Cable retention

| | |
|------------|------------------|
| - pull off | NA N mini |
| - torque | NA N.cm |

MECHANICAL CHARACTERISTICS

| | | |
|----------------------------|-----------|-----------|
| Center contact retention | | |
| Axial force – Mating end | 27 | N mini |
| Axial force – Opposite end | 27 | N mini |
| Torque | NA | N.cm mini |

TOOLING

| | | |
|--------------------|---------------|------|
| Recommended torque | | |
| Mating | NA | N.cm |
| Panel nut | NA | N.cm |
| Clamp nut | NA | N.cm |
| A/F clamp nut | 0,0000 | mm |

| Part Number | Description | Hexagon |
|-------------|-------------|---------|
| . | . | . |

OTHER CHARACTERISTICS

*from 0 to 10 Ghz

| | | |
|-------------|---------------|-------------|
| Mating life | 1000 | Cycles mini |
| Weight | 2,9920 | g |

ENVIRONMENTAL

| | | |
|-----------------------|-----------------|-----------|
| Operating temperature | -65/+165 | ° C |
| Hermetic seal | NA | Atm.cm3/s |
| Panel leakage | NA | |

Issue : **0941 C**

In the effort to improve our products, we reserve the right to make changes judged to be necessary.

