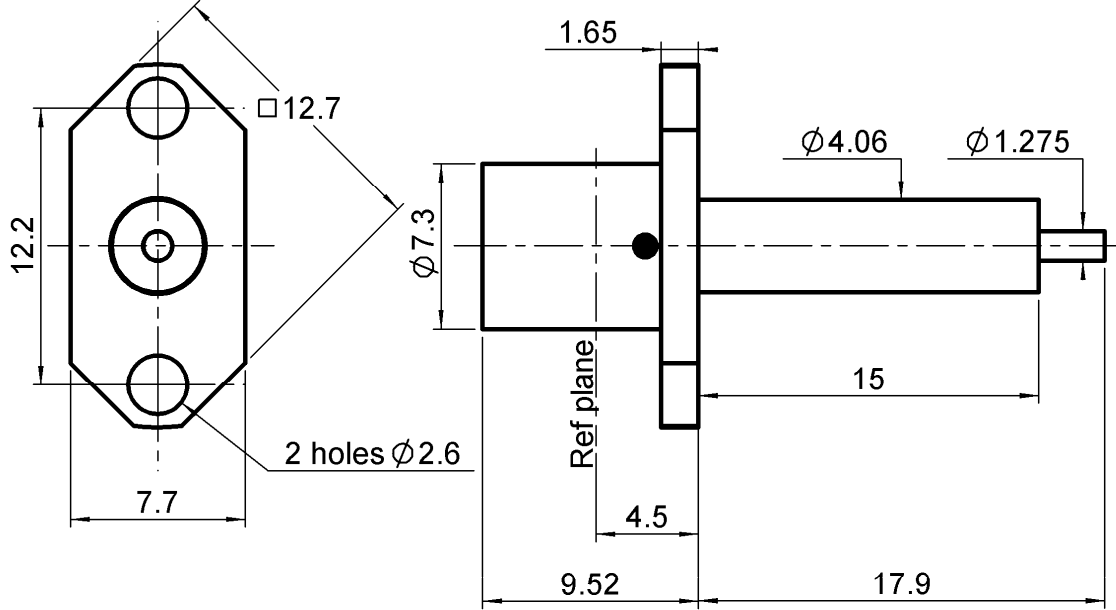


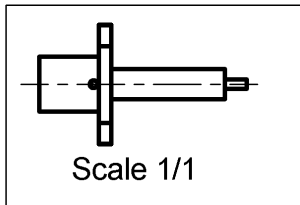
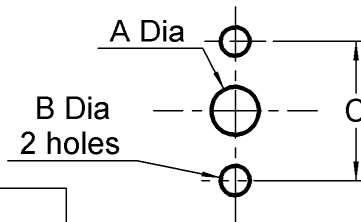
**ADJUST.2 HOLES FLANGE JACK RECEPTACLE
WITH CYLINDRICAL CONTACT.**

R128.464.701

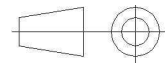
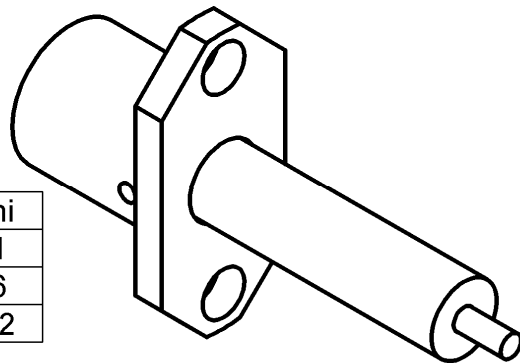
Series : BMA



PANEL DRILLING



	maxi	mini
A	4.14	4.1
B	2.8	2.6
C	12.3	12.2



All dimensions are in mm.

COMPONENTS	MATERIALS	PLATING (µm)
BODY	STAINLESS STEEL	PASSIVATED
CENTER CONTACT	BERYLLIUM COPPER	GOLD 1.3 OVER NICKEL2
OUTER CONTACT	BERYLLIUM COPPER	NPGR
INSULATOR	PTFE	
GASKET	-	-
OTHERS PARTS	-	-
.	-	-
.	-	-

Issue : 0941 C

In the effort to improve our products, we reserve the right to make changes judged to be necessary.



**ADJUST.2 HOLES FLANGE JACK RECEPTACLE
WITH CYLINDRICAL CONTACT.**

R128.464.701

Series : BMA

PACKAGING

SPECIFICATION

Standard	Unit	Other
100	'W' option	Contact us

ELECTRICAL CHARACTERISTICS

ENVIRONMENTAL

Impedance	50	Ω
Frequency	0-22	GHz
VSWR	1.25* + 0,0000	x F(GHz) Maxi
Insertion loss	0.07	\sqrt{F} (GHz) dB Maxi
RF leakage	- (80)	- F(GHz)) dB Maxi
Voltage rating	500	Veff Maxi
Dielectric withstanding voltage	1500	Veff mini
Insulation resistance	5000	M Ω mini

Operating temperature	-65/+165	$^{\circ}$ C
Hermetic seal	NA	Atm.cm3/s
Panel leakage	NA	

OTHER CHARACTERISTICS

Assembly instruction

Others :
*from 0 to 10 Ghz

MECHANICAL CHARACTERISTICS

Center contact retention		
Axial force – Mating end	27	N mini
Axial force – Opposite end	27	N mini
Torque	NA	N.cm mini
Recommended torque		
Mating	NA	N.cm
Panel nut	NA	N.cm
Mating life	1000	Cycles mini
Weight	2,9920	g

Issue : 0941 C

In the effort to improve our products, we reserve the right to make changes judged to be necessary.

