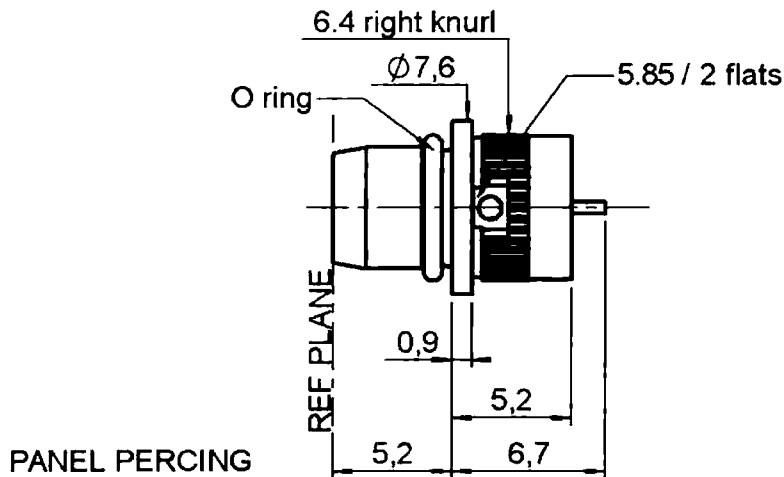


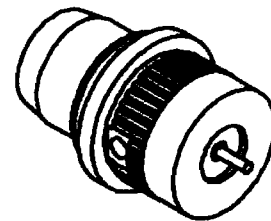
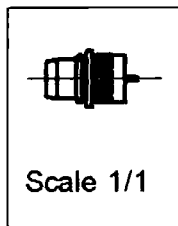
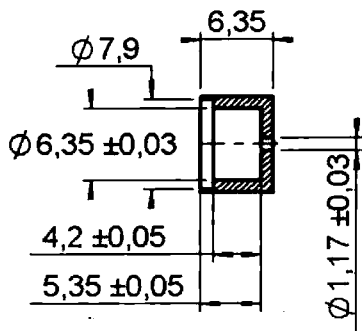
**PRESS FIT PLUG RECEPTACLE  
WITH CYLINDRICAL CONTACT**

**R128.595.001**

Series : **BMA**



PANEL PERCING



All dimensions are in mm.

COMPONENTS	MATERIALS	PLATING
BODY	STAINLESS STEEL	PASSIVATED . $\mu\text{m}$
CENTRE CONTACT	BRASS	GOLD 1.3 OVER NICKEL 2 $\mu\text{m}$
OUTER CONTACT	-	- $\mu\text{m}$
INSULATOR	PTFE	
GASKET	SILICONE RUBBER	
OTHERS PARTS	-	- $\mu\text{m}$
-	-	-
-	-	-



dition : 9926 D

Design changes may be in order to improve the product.

**PRESS FIT PLUG RECEPTACLE  
WITH CYLINDRICAL CONTACT**

**R128.595.001**

Series : BMA

**ELECTRICAL CHARACTERISTICS**

Impedance		<b>50</b> Ω
Frequency		<b>0-22</b> GHz
VSWR	<b>1.25* +</b>	<b>0.000</b> x F(GHz) Maxi
Insertion loss		<b>0.07</b> √F(GHz) dB Maxi
RF leakage	- (	<b>90</b> - F(GHz)) dB mini
Voltage rating		<b>500</b> Veff Maxi
Dielectric withstanding voltage		<b>1500</b> Veff mini
Insulation resistance		<b>5000</b> MΩ mini

**SPECIFICATION**

**ENVIRONMENTAL**

Operating temperature	<b>-65/+125</b> ° C
Hermetic seal	<b>NA</b> Atm.cm3/s
Leakage – pressurised only	<b>NA</b> Mpa

**OTHERS CHARACTERISTICS**

Assembly instruction **NA**

Others :  
\* de 0 -10 Ghz

**MECHANICAL CHARACTERISTICS**

Centre contact retention		
Axial force – Mating end		<b>27</b> N mini
Axial force – Opposite end		<b>27</b> N mini
Torque		<b>NA</b> N.cm mini
Recommended torque		
Mating		<b>NA</b> N.cm
Panel nut		<b>NA</b> N.cm
Mating life		<b>1000</b> Cycles mini
Weight		<b>1.500</b> g



**RADIALL®**

dition : 9926 D

Design changes may be in order to improve the product.