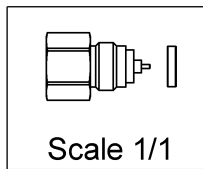
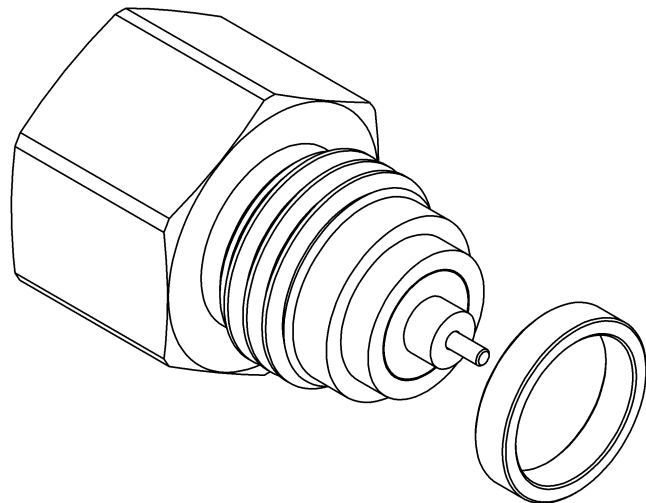
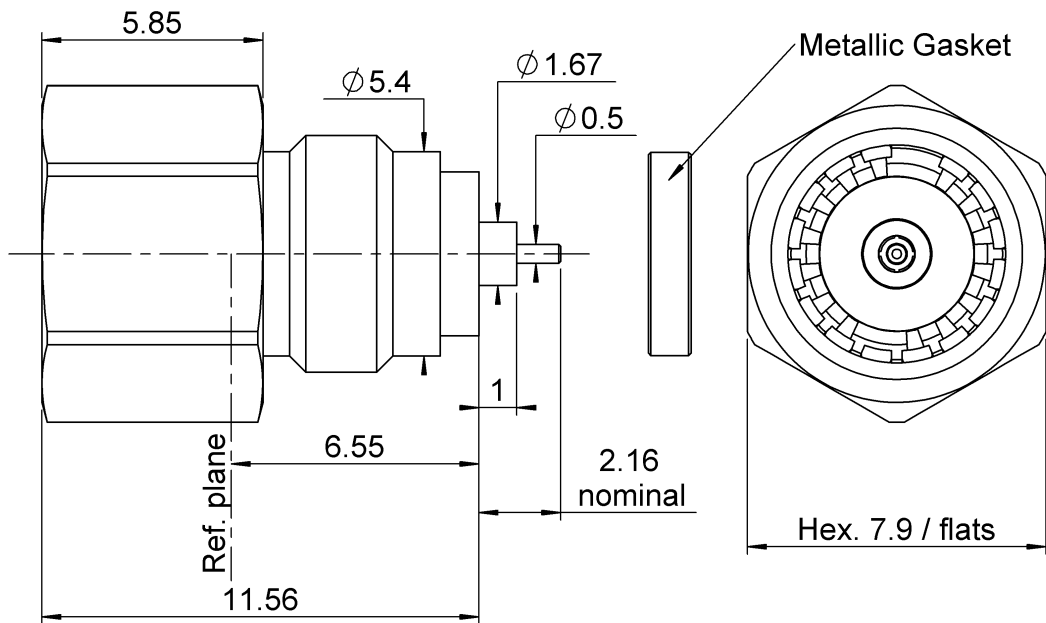
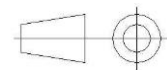


PAGE 1/3	ISSUE 08-02-16C	SERIES BMA	PART NUMBER R128609701
----------	-----------------	------------	------------------------



All dimensions are in mm.



COMPONENTS	MATERIALS	PLATING (μm)
Body	STAINLESS STEEL	PASSIVATED
Center contact	BERYLLIUM COPPER	GOLD 1.3 OVER NICKEL2
Outer contact	BERYLLIUM COPPER	NPGR
Insulator	PTFE+GLASS BEAD	
Gasket	-	
Others parts	DILVER P1	GOLD 1.3 OVER NICKEL 2
-	-	-
-	-	-

PAGE 2/3	ISSUE 08-02-16C	SERIES BMA	PART NUMBER R128609701
----------	------------------------	-------------------	-------------------------------

PACKAGING

Standard	Unit	Other
100	Contact us	Contact us

ELECTRICAL CHARACTERISTICS

Impedance		50		Ω
Frequency		0-22		GHz
VSWR	1.25* +		0,0000	x F(GHz) Maxi
Insertion loss			0.07	√F(GHz) dB Maxi
RF leakage	- (80	- F(GHz)) dB Maxi
Voltage rating			500	Veff Maxi
Dielectric withstanding voltage			1500	Veff mini
Insulation resistance			5000	MΩ mini

ENVIRONMENTAL

Operating temperature	-65/+165	°C
Hermetic seal	10-6	Atm.cm3/s
Panel leakage	NA	

MECHANICAL CHARACTERISTICS

Center contact retention				
Axial force – Mating End		27		N mini
Axial force – Opposite end		27		N mini
Torque		NA		N.cm mini
Recommended torque				
Mating		NA		N.cm
Panel nut		NA		N.cm
Mating life		1000		Cycles mini
Weight		2,1990		g

SPECIFICATION

OTHER CHARACTERISTICS

Assembly instruction:

Others:
***0-10 GHz**