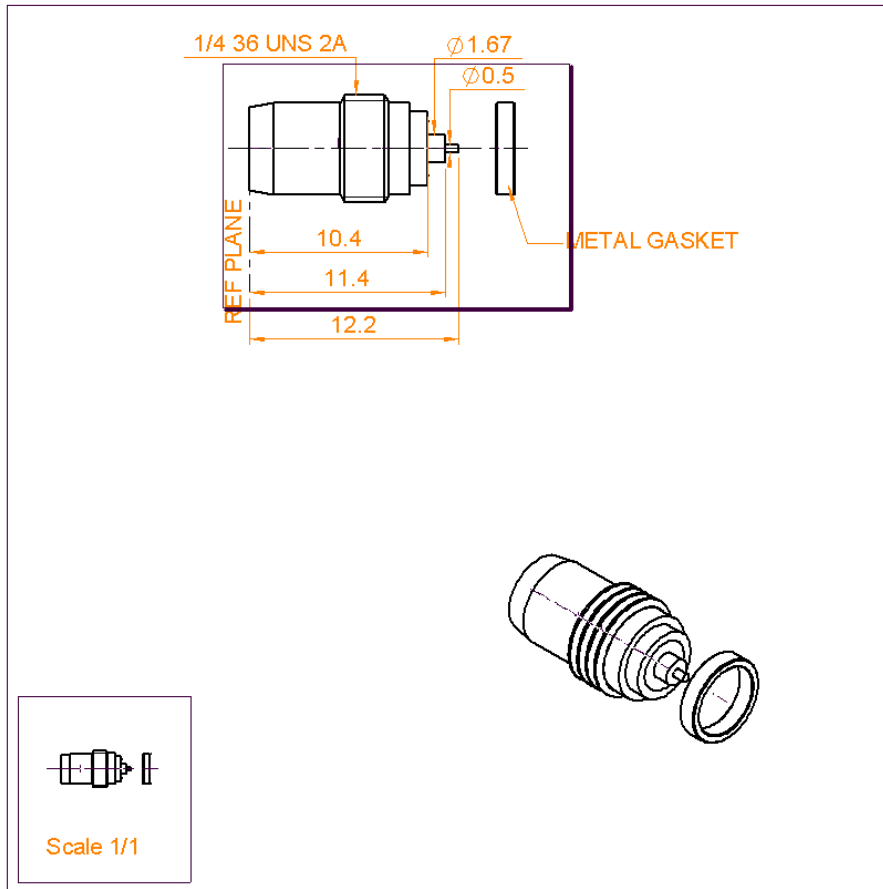


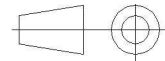
SCREW MALE RECEPTACLE
HERMETIC - WITH CYLINDRICAL CONTACT

R128.639.001

Series : BMA



All dimensions are in mm.



COMPONENTS	MATERIALS	PLATINGS (µm)
BODY	STAINLESS STEEL	PASSIVATED .
CENTER CONTACT	BERYLLIUM COPPER	GOLD 1.3 OVER NICKEL 2
OUTER CONTACT	-	-
INSULATOR	PTFE	-
GASKET	ALUMINIUM ALLOY	-
OTHERS PARTS	-	-
-	-	-
-	-	-

Issue : 0449 C

In the effort to improve our products, we reserve the right to make changes judged to be necessary.



SCREW MALE RECEPTACLE

R128.639.001

HERMETIC - WITH CYLINDRICAL CONTACT

Series : **BMA**

PACKAGING

SPECIFICATION

Standard	Unit	Other
1	-	Contact us

ELECTRICAL CHARACTERISTICS

Impedance	50	Ω
Frequency	0-22	GHz
VSWR	1.25 + 0.000	x F(GHz) Maxi
Insertion loss	0.07 *	$\sqrt{F(GHz)}$ dB Maxi
RF leakage	- (NA)	- F(GHz)) dB mini
Voltage rating	500	Veff Maxi
Dielectric withstanding voltage	1500	Veff mini
Insulation resistance	5000	M Ω mini

ENVIRONMENTAL

Operating temperature	-65/+125	$^{\circ}$ C
Hermetic seal	10-8	Atm.cm ³ /s
Panel leakage	NA	

OTHERS CHARACTERISTICS

Assembly instruction **NA**

Others :
* de 0 -10 Ghz

MECHANICAL CHARACTERISTICS

Center contact retention		
Axial force – Mating end	27	N mini
Axial force – Opposite end	27	N mini
Torque	NA	N.cm mini
Recommended torque		
Mating	NA	N.cm
Panel nut	280	N.cm
Mating life	1000	Cycles mini
Weight	1.230	g

Issue : 0449 C

In the effort to improve our products, we reserve the right to make changes judged to be necessary.

