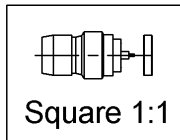
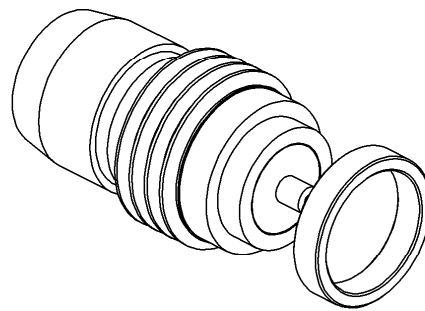
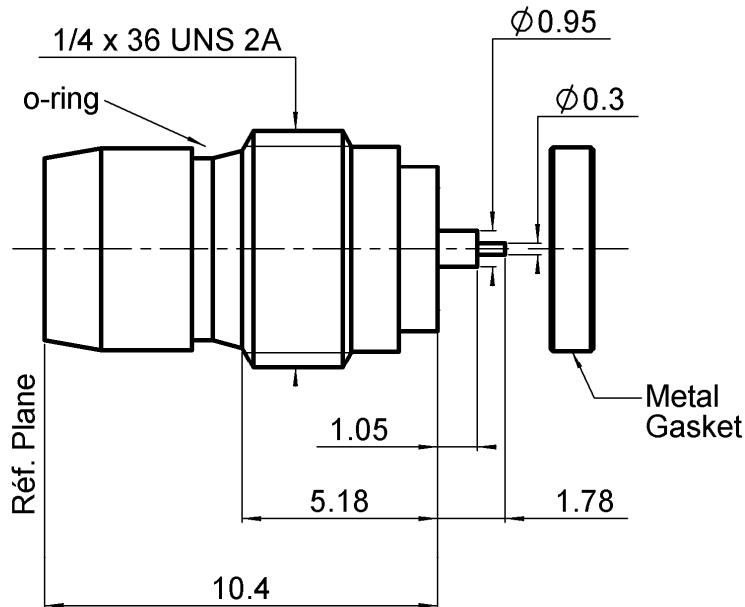


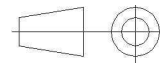
**SCREW MALE HERMETIC RECEPTACLE  
WITH CYLINDRICAL CONTACT**

**R128.639.100**

Series : BMA



All dimensions are in mm.



COMPONENTS	MATERIALS	PLATING (µm)
BODY	STAINLESS STEEL	PASSIVATED.
CENTER CONTACT	BERYLLIUM COPPER	GOLD 1.3 OVER NICKEL2
OUTER CONTACT	-	-
INSULATOR	PTFE	-
GASKET	-	-
OTHERS PARTS	SILICONE RUBBER	-
-	-	-
-	-	-

Issue : 1222 A

In the effort to improve our products, we reserve the right to make changes judged to be necessary.



**SCREW MALE HERMETIC RECEPTACLE  
WITH CYLINDRICAL CONTACT**

**R128.639.100**

Series : BMA

**PACKAGING**

**SPECIFICATION**

Standard	Unit	Other
<b>1 00</b>	<b>'W' option</b>	<b>Contact us</b>

**ELECTRICAL CHARACTERISTICS**

**ENVIRONMENTAL**

Impedance	<b>50</b>	$\Omega$
Frequency	<b>0-22</b>	GHz
VSWR	<b>1.25*</b> + <b>0,0000</b>	x F(GHz) Maxi
Insertion loss	<b>0.07</b>	$\sqrt{F}$ (GHz) dB Maxi
RF leakage	- ( <b>NA</b> )	- F(GHz)) dB Maxi
Voltage rating	<b>500</b>	Veff Maxi
Dielectric withstanding voltage	<b>1500</b>	Veff mini
Insulation resistance	<b>5000</b>	M $\Omega$ mini

Operating temperature	<b>-65+125</b>	$^{\circ}$ C
Hermetic seal	<b>10-8</b>	Atm.cm3/s
Panel leakage	<b>IP68</b>	

**OTHER CHARACTERISTICS**

Assembly instruction

Others :

\* DC-10GHz

**MECHANICAL CHARACTERISTICS**

Center contact retention		
Axial force – Mating end	<b>27</b>	N mini
Axial force – Opposite end	<b>27</b>	N mini
Torque	<b>NA</b>	N.cm mini
Recommended torque		
Mating		N.cm
Panel nut	<b>280</b>	N.cm
Mating life	<b>1000</b>	Cycles mini
Weight	<b>1,2000</b>	g

Issue : 1222 A

In the effort to improve our products, we reserve the right to make changes judged to be necessary.

