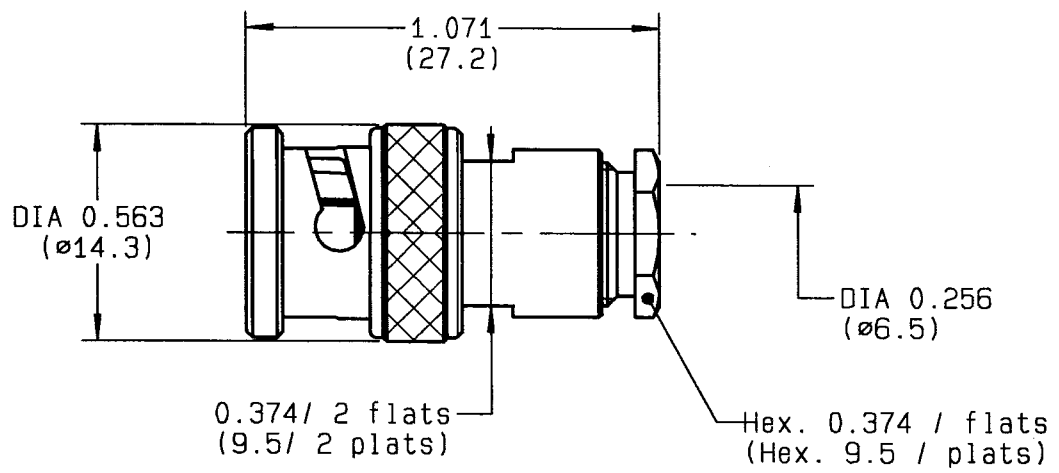


STRAIGHT CABLE PLUG-CLAMP TYPE
CABLE 6/75

Series : BNC

1 / 2



CABLES : RG59 KX6A

CHARACTERISTICS

NOMINAL IMPEDANCE	50	Ω
FREQUENCY RANGE	0-4	GHz
TEMPERATURE RATING	-65/+165	°C
VSWR	TBD +	0 x F(GHz)Maxi
RF INSERTION LOSS	0.115	√F(GHz) dB Maxi
VOLTAGE RATING	500	Vrms Max
DIELECTRIC WITHSTANDING VOLTAGE	1500	Vrms min
INSULATION RESISTANCE	5000	M.Ω min
HERMETIC SEAL	-	cc/s
	NA	Atm.cm3/s
LEAKAGE (pressurized only)	-	psi
	NA	MPa
WEIGHT	0.4464	Oz
	12.5	g

STANDARDISATION

CABLE RETENTION	40.64	lb min
	181	N
CENTER CONTACT RETENTION		
Axial force - mating end	0	lb min
	NA	N
Axial force - opposite end	0	lb min
	NA	N
Torque (Min)	0	Inch.oz
	NA	cm.N
RECOMMENDED TORQUES		
Mating	0	inch.lb
	NA	cm.N
Panel nut	0	inch.lb
	NA	cm.N
Clamp nut	13.27	inch.lb
	150	cm.N

CONSTRUCTION

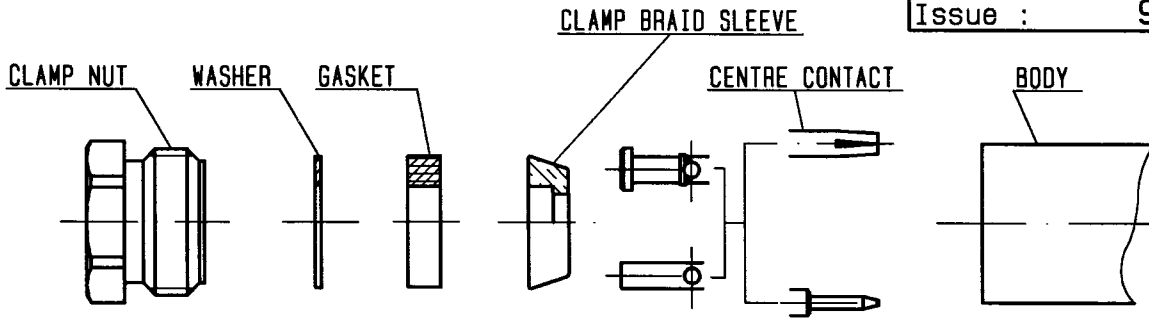
CONNECTOR PARTS	MATERIALS	FINISH
BODY	BRASS	NICKEL
OUTER CONTACT	BRASS	NICKEL
CENTER CONTACT	BRASS	GOLD
INSULATOR	PTFE	-
-	-	-
-	-	-
-	-	-
-	-	-
-	-	-
-	-	-

ISSUE	REVISION No	DESCRIPTION	BY	DATE
-	-	-	-	-
-	-	-	-	-
-	-	-	-	-
-	-	-	-	-

Initiated on 17/06/91
Approval by -

The information given here is subject to change without notice. Design changes may be in order to improve the product.

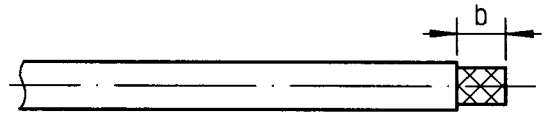




①

Strip the cable .

-
-
-
-



Stripping	a	b	c	d	e
inch	0.098	0.276	0	0	0.118
mm	2.5	7	-	-	3

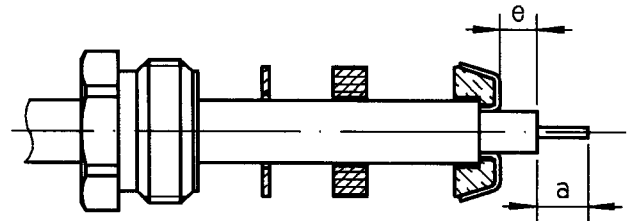
②

Slide the clamp nut , the washer and the gasket onto the cable .

Slide clamp braid sleeve over braid .
Fold back braid and trim off surplus braid .

Trim back dielectric as shown .

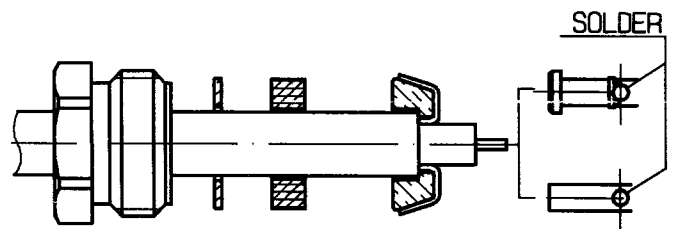
-
-
-



③

Solder the cable inner conductor into centre contact .

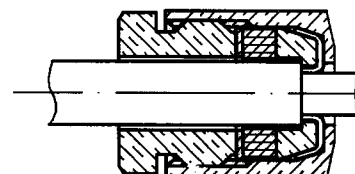
-
-
-
-
-



④

Screw sub-assembly into the connector body .
(recommended coupling torque 13.27 in.lb)

-
-



Hex. : 0.374/flats

PE 03

4112 9211