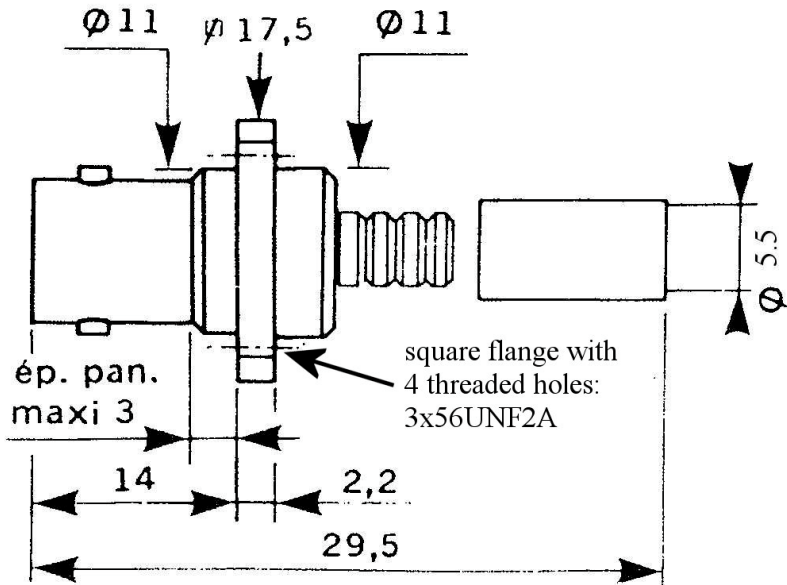


STRAIGHT JACK SQUARE FLANGE

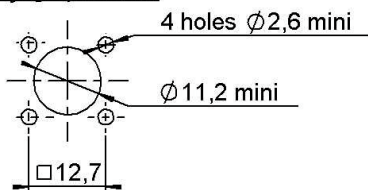
CRIMP TYPE - CABLE 5/50 S

R141.292.000

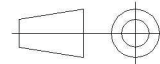
Series : BNC



Perçage panneau



All dimensions are in mm.



COMPONENTS	MATERIALS	PLATINGS (µm)
BODY	BRASS	NICKEL 2
CENTER CONTACT	BERYLLIUM COPPER	GOLD 0.5 OVER NICKEL 2
OUTER CONTACT	-	-
INSULATOR	PTFE	-
GASKET	-	-
OTHERS PARTS	BRASS	NICKEL 2
-	-	-
-	-	-

Issue : 0502 D

In the effort to improve our products, we reserve the right to make changes judged to be necessary.



STRAIGHT JACK SQUARE FLANGE

R141.292.000

CRIMP TYPE - CABLE 5/50 S

Series : **BNC**

PACKAGING

Standard	Unit	Other
100	'W' option	Contact us

SPECIFICATION

ELECTRICAL CHARACTERISTICS

Impedance		50 Ω
Frequency		0-4 GHz
VSWR	1.3 +	0.000 x F(GHz) Maxi
Insertion loss		- √F(GHz) dB Maxi
RF leakage	- (- F(GHz)) dB Maxi
Voltage rating		- Veff Maxi
Dielectric withstanding voltage		1500 Veff mini
Insulation resistance		5000 MΩ mini

CABLE ASSEMBLY

Stripping	a	b	c	d	e	f
mm	4.00	8.50	15.0	0.00	11.0	0.00

Assembly instruction : **Crimp 02**

Recommended cable(s)
 KX 15
 RG 141
 RG 58

Characteristics indicated on this data sheet are those that can be achieved with the highest performance cable. Intrinsic limitations of the cable may diminish the performance of the assembly

Cable retention

- pull off **91** N mini
 - torque **NA** N.cm

MECHANICAL CHARACTERISTICS

Center contact retention		
Axial force – Mating end	27	N mini
Axial force – Opposite end	27	N mini
Torque	NA	N.cm mini

TOOLING

Part Number	Description	Hexagon
.	.	.
R282.223.000	CRIMPING TOOL	1.73-5.41
R282.293.000	CRIMPING TOOL	-
R282.235.011	CRIMPING DIES	1.73-5.41

Recommended torque		
Mating	NA	N.cm
Panel nut	NA	N.cm
Clamp nut	NA	N.cm
A/F clamp nut	0.000	mm

Mating life	500	Cycles mini
Weight	12.000	g

OTHERS CHARACTERISTICS

-

ENVIRONMENTAL

Operating temperature	-65/+165	°C
Hermetic seal	-	Atm.cm3/s
Panel leakage	-	

Issue : **0502 D**

In the effort to improve our products, we reserve the right to make changes judged to be necessary.

