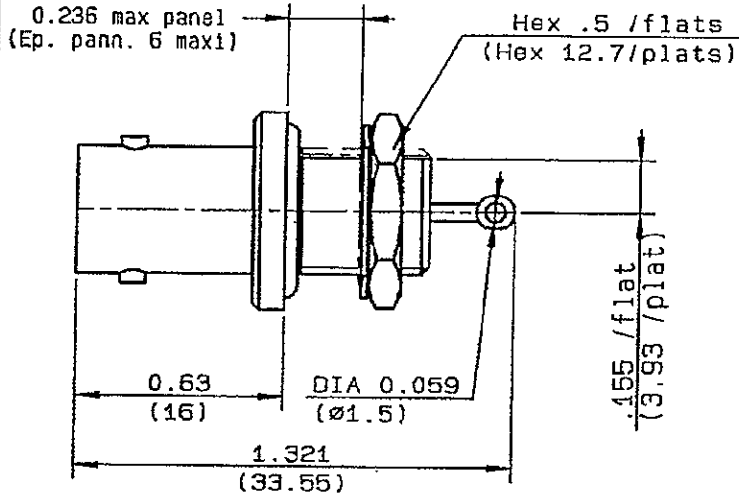
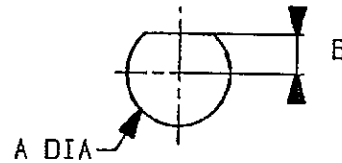


**HERMETICAL BULKHEAD RECEPTACLE
FRONT MOUNT WATERPROOFTYPE**

R141.625.020
SERIES **BNC**



PERCAGE PANNEAU
MOUNTING HOLE



	MM		INCH	
	maxi	mini	maxi	mini
A	9.75	9.65	.384	.380
B	4.04	3.96	.159	.156

NOMINAL IMPEDANCE	50 Ω	CABLES :	
FREQUENCY RANGE	0-4 GHz		
TEMPERATURE RATING	-65/+165 °C		
V.S.W.R	NA + 0 x F(GHz)Maxi		
RF INSERTION LOSS	NA \sqrt{F} (GHz) dB Maxi		
VOLTAGE RATING	500 Veff Maxi		
DIELECTRIC WITHSTANDING VOLTAGE	1500 Veff Mini		
INSULATION RESISTANCE	5000 M Ω Mini	OTHERS CHARACTERISTICS	
HERMETIC SEAL	10-6 Atm.cm ³ /s	CABLE RETENTION	NA N Mini
LEAKAGE (pressurized only)		CENTER CONTACT RETENTION	
MECHANICAL DURABILITY	500 Cycles	Axial force - mating end	18.1 N Mini
WEIGHT	12 gr	Axial force - opposite end	18.1 N Mini
SPECIFICATION		Torque	2.8 cm.N Mini
		RECOMMENDED TORQUES	
		Mating	NA cm.N
		Panel nut	250 cm.N
		Clamp nut	NA cm.N

CONNECTOR PARTS	MATERIALS	FINISH	(all values are given in micrometers)
BODY	BRASS	NICKEL 2	
OUTER CONTACT			
CENTER CONTACT	BERYLLIUM COPPER	GOLD 1.3 OVER NICKEL 2	
INSULATOR	PTFE	-	
GASKET	SILICONE RUBBER	-	
OTHERS PIECES	BRASS	NICKEL 2	

ISSUE 0621C	CREATION DATE 11-FEB-97	FILE PART-NUMBER 95-0130-147
-----------------------	-----------------------------------	--



ANN. JIN

The information given here is subject to change without notice. Design changes may be in order to improve the product.

Connect to the future