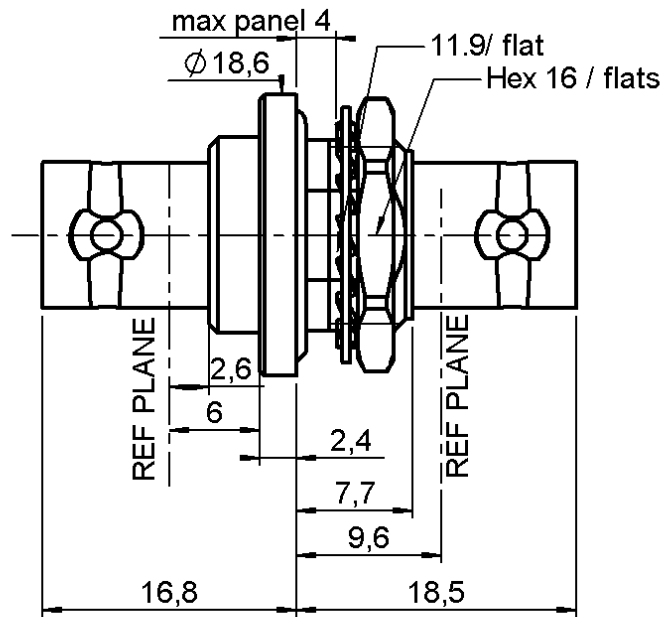


**FEMALE-FEMALE BULKEAD ADAPTOR**

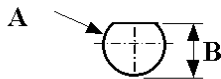
**R141.753.000**

**HERMETIC**

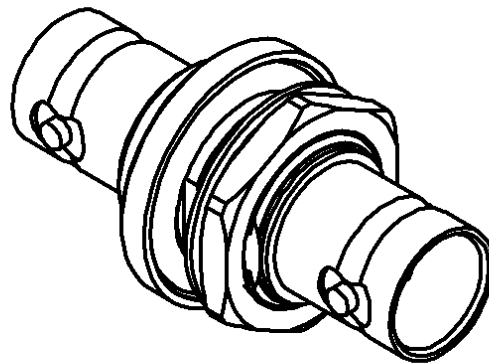
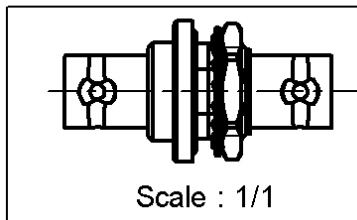
Series : **BNC**



**PANEL CUT OUT**



mm		
	Maxi	mini
A	12.8	12.7
B	12	11.9



All dimensions are in mm.

COMPONENTS	MATERIALS	PLATING ( $\mu\text{m}$ )
<b>BODY</b>	<b>BRASS</b>	<b>NICKEL 2</b>
<b>CENTER CONTACT</b>	<b>BERYLLIUM COPPER</b>	<b>GOLD 0.5 OVER NICKEL 2</b>
<b>OUTER CONTACT</b>	-	-
<b>INSULATOR</b>	<b>PTFE</b>	-
<b>GASKET</b>	<b>FLUOROCARBON</b>	-
<b>OTHERS PARTS</b>	-	-
-	-	-
-	-	-

Issue : 1250 D

In the effort to improve our products, we reserve the right to make changes judged to be necessary.  
 This document contains proprietary information and such information shall not be disclosed to any third party for any purpose whatsoever or used for manufacturing purposes without prior written agreement from RADIALL



**FEMALE-FEMALE BULKEAD ADAPTOR**

**R141.753.000**

**HERMETIC**

Series : **BNC**

**PACKAGING**

**SPECIFICATION**

Standard	Unit	Other
<b>100</b>	<b>'W' option</b>	<b>Contact us</b>

**ELECTRICAL CHARACTERISTICS**

**ENVIRONMENTAL**

Impedance	<b>50</b>	$\Omega$
Frequency	<b>0-4</b>	GHz
VSWR	<b>NA + 0,0000</b>	x F(GHz) Maxi
Insertion loss	<b>NA</b>	$\sqrt{F(GHz)}$ dB Maxi
RF leakage	<b>- ( 57</b>	- F(GHz)) dB Maxi
Voltage rating	<b>500</b>	Veff Maxi
Dielectric withstanding voltage	<b>1500</b>	Veff mini
Insulation resistance	<b>5000</b>	M $\Omega$ mini

Operating temperature	<b>-25/+100</b>	$^{\circ}$ C
Hermetic seal	<b>10-6</b>	Atm.cm3/s
Panel leakage	<b>NA</b>	

**OTHER CHARACTERISTICS**

Assembly instruction **NA**

Others :  
-

**MECHANICAL CHARACTERISTICS**

Center contact retention		
Axial force – Mating end	<b>18</b>	N mini
Axial force – Opposite end	<b>18</b>	N mini
Torque	<b>2.8</b>	N.cm mini
Recommended torque		
Mating	<b>NA</b>	N.cm
Panel nut	<b>370</b>	N.cm
Mating life	<b>500</b>	Cycles mini
Weight	<b>20,4530</b>	g

Issue : 1250 D

In the effort to improve our products, we reserve the right to make changes judged to be necessary.  
 This document contains proprietary information and such information shall not be disclosed to any third party for any purpose whatsoever or used for manufacturing purposes without prior written agreement from RADIALL

