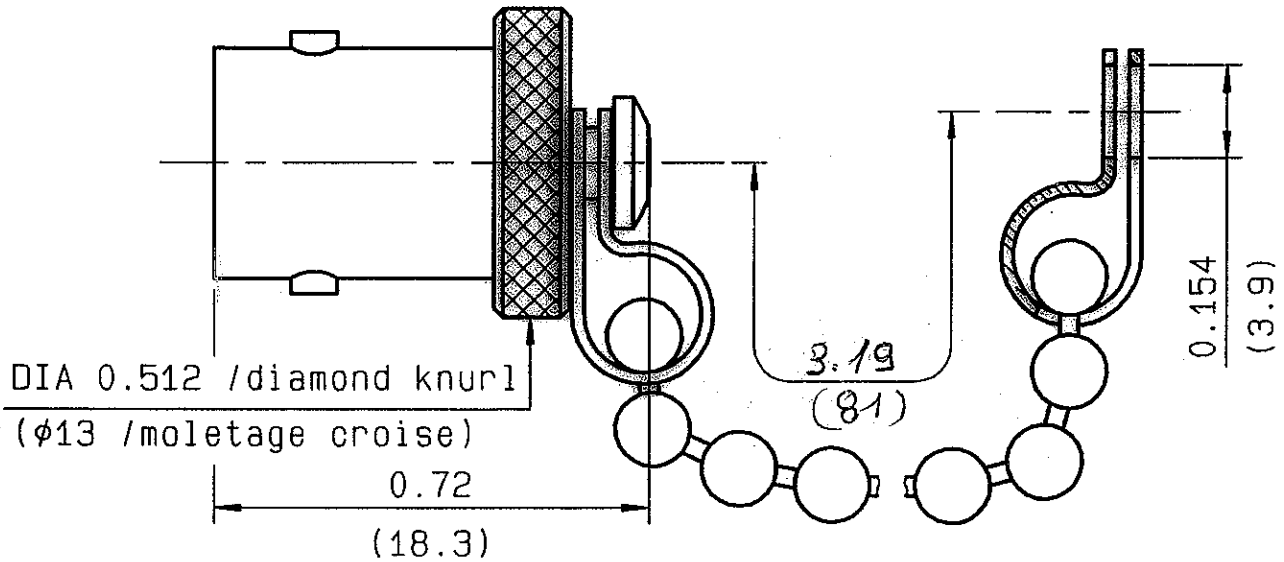


FEMALE PROTECTIVE GAP CHAIN

R141.842.000
SERIES BNC



NOMINAL IMPEDANCE	NA	Ω
FREQUENCY RANGE	NA	GHz
TEMPERATURE RATING	-65/+165	°C
V.S.W.R	NA +	x F(GHz)Maxi
RF INSERTION LOSS	NA	√F(GHz) dB Maxi
VOLTAGE RATING	NA	Veff Maxi
DIELECTRIC WITHSTANDING VOLTAGE	NA	Veff Mini
INSULATION RESISTANCE	NA	M ΩMini
HERMETIC SEAL	NA	Atm.cm ³ /s
LEAKAGE (pressurized only)	NA	
MECHANICAL DURABILITY	500	Cycles
WEIGHT	9.3	gr

CABLES :

OTHERS CHARACTERISTICS

CABLE RETENTION	NA	N Mini
CENTER CONTACT RETENTION		
Axial force - mating end	NA	N Mini
Axial force - opposite end	NA	N Mini
Torque	NA	cm.N Mini
RECOMMENDED TORQUES		
Mating	NA	cm.N
Panel nut	NA	cm.N
Clamp nut	NA	cm.N

CONNECTOR PARTS	MATERIALS	FINISH	(all values are given) in micrometers
BODY	BRASS	NICKEL 2	
OUTER CONTACT			
CENTER CONTACT			
INSULATOR			
GASKET			
OTHERS PIECES			

ISSUE	CREATION DATE	FILE PART-NUMBER
9802A00	14-NOV-97	



The information given here is subject to change without notice.
 Design changes may be in order to improve the product .

Connect to the future