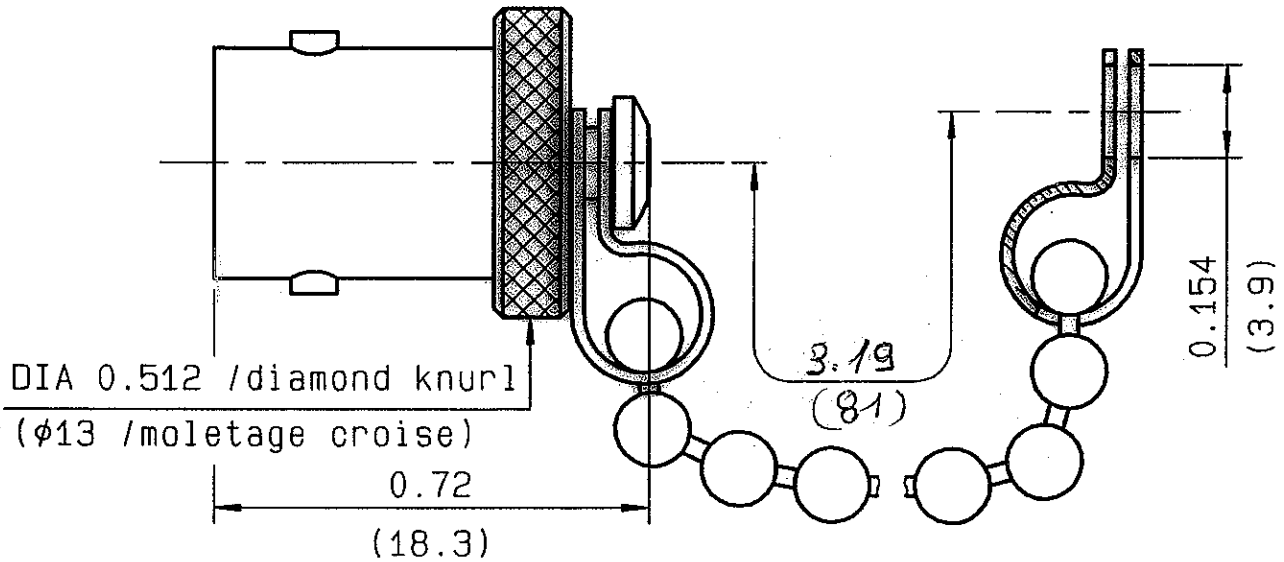


**FEMALE PROTECTIVE GAP CHAIN**

**R141.842.000**  
**SERIES BNC**



NOMINAL IMPEDANCE	NA	Ω
FREQUENCY RANGE	NA	GHz
TEMPERATURE RATING	-65/+165	°C
V.S.W.R	NA +	x F(GHz)Maxi
RF INSERTION LOSS	NA	√F(GHz) dB Maxi
VOLTAGE RATING	NA	Veff Maxi
DIELECTRIC WITHSTANDING VOLTAGE	NA	Veff Mini
INSULATION RESISTANCE	NA	M ΩMini
HERMETIC SEAL	NA	Atm.cm <sup>3</sup> /s
LEAKAGE (pressurized only)	NA	
MECHANICAL DURABILITY	500	Cycles
WEIGHT	9.3	gr

CABLES :

OTHERS CHARACTERISTICS

CABLE RETENTION	NA	N Mini
CENTER CONTACT RETENTION		
Axial force - mating end	NA	N Mini
Axial force - opposite end	NA	N Mini
Torque	NA	cm.N Mini
RECOMMENDED TORQUES		
Mating	NA	cm.N
Panel nut	NA	cm.N
Clamp nut	NA	cm.N

CONNECTOR PARTS	MATERIALS	FINISH	(all values are given ) in micrometers
BODY	BRASS	NICKEL 2	
OUTER CONTACT			
CENTER CONTACT			
INSULATOR			
GASKET			
OTHERS PIECES			

ISSUE	CREATION DATE	FILE PART-NUMBER
9802A00	14-NOV-97	



The information given here is subject to change without notice.  
 Design changes may be in order to improve the product .

Connect to the future