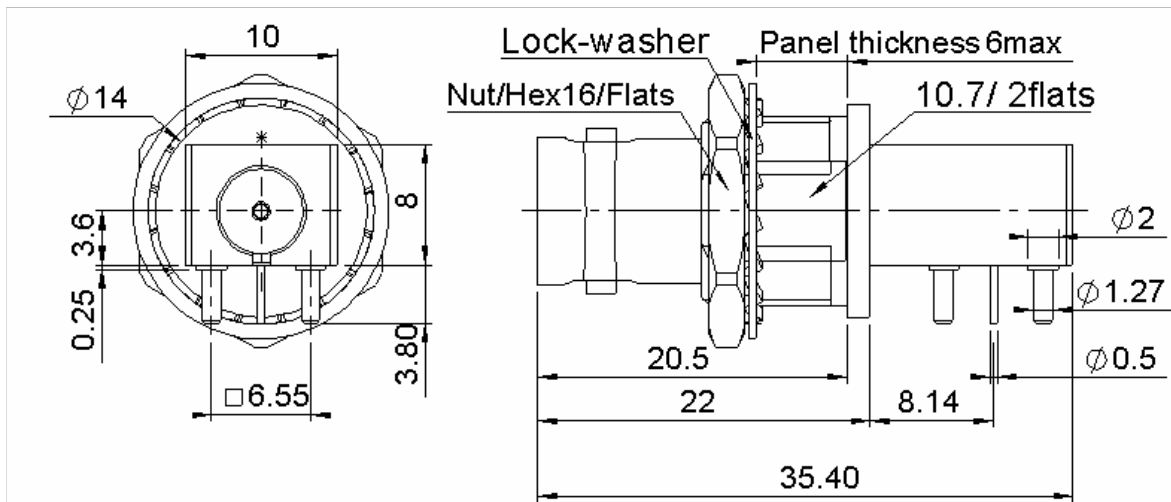


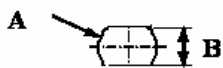
RIGHT ANGLE BULKHEAD JACK RECEPTACLE
SOLDER LEGS

R142.676.700

Series : **BNC 75 HDTV**

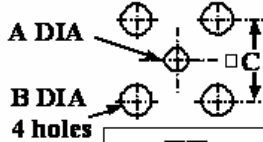


PANEL CUT OUT

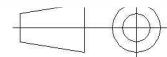
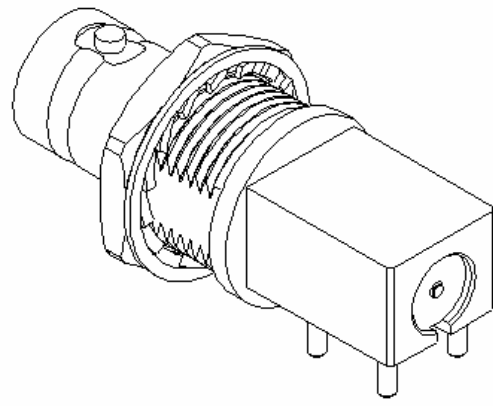
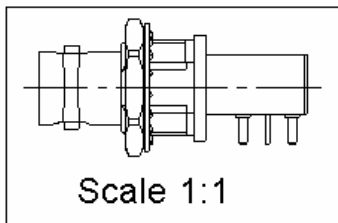


mm		
	Maxi	mini
A	12.8	12.7
B	10.9	10.8

PANEL CUT OUT



mm		
	Maxi	mini
A	0.7	0.6
B	1.47	1.37
C	6.60	6.50



All dimensions are in mm.

COMPONENTS	MATERIALS	PLATING (µm)
BODY	BRASS	BBR2
CENTER CONTACT	BERYLLIUM COPPER	NPGR
OUTER CONTACT		-
INSULATOR	PTFE	
GASKET		
OTHERS PARTS	BRASS	BBR2
-	-	-
-	-	-

Issue : 0844 B

In the effort to improve our products, we reserve the right to make changes judged to be necessary.



RIGHT ANGLE BULKHEAD JACK RECEPTACLE

R142.676.700

SOLDER LEGS

Series : **BNC 75 HDTV**

PACKAGING

SPECIFICATION

Standard	Unit	Other
100	'W' option	Contact us

ELECTRICAL CHARACTERISTICS

ENVIRONMENTAL

Impedance	75	Ω
Frequency	0-6	GHz
VSWR	1.2* + 0.0000	x F(GHz) Maxi
Insertion loss	TBD	$\sqrt{F(GHz)}$ dB Maxi
RF leakage	NA	- F(GHz) dB Maxi
Voltage rating	500	Veff Maxi
Dielectric withstanding voltage	1500	Veff mini
Insulation resistance	5000	M Ω mini

Operating temperature	-65/+165	$^{\circ}$ C
Hermetic seal	NA	Atm.cm3/s
Panel leakage	NA	

OTHER CHARACTERISTICS

Assembly instruction **NA**

Others :
*0-3GHz; 3-6GHz: 1.4max

MECHANICAL CHARACTERISTICS

Center contact retention		
Axial force – Mating end	18	N mini
Axial force – Opposite end	18	N mini
Torque	NA	N.cm mini
Recommended torque		
Mating	NA	N.cm
Panel nut	370	N.cm
Mating life	1000	Cycles mini
Weight	21.1700	g

Issue : 0844 B

In the effort to improve our products, we reserve the right to make changes judged to be necessary.

RADIAL 