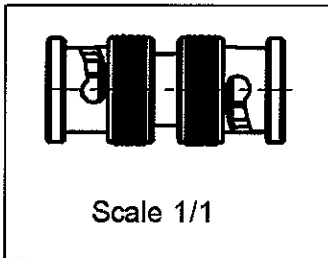
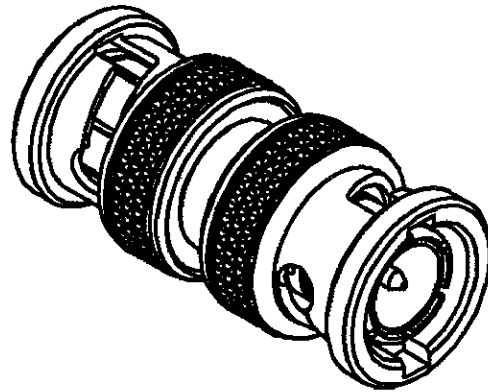
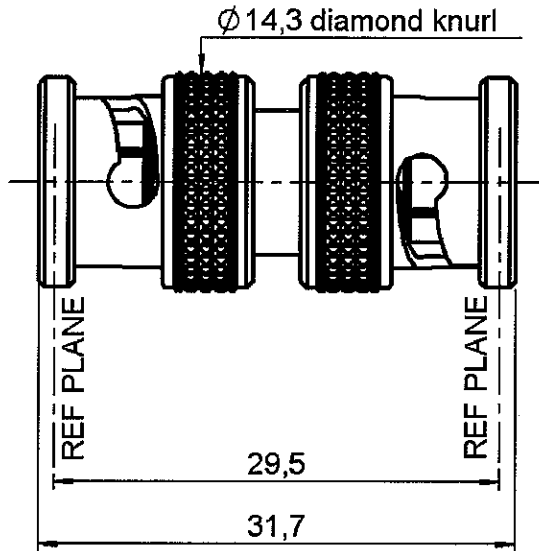


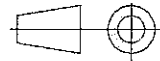
**MALE-MALE ADAPTOR**

**R142.703.000**

Series : BNC 75



All dimensions are in mm.



| COMPONENTS     | MATERIALS       | PLATING ( $\mu\text{m}$ ) |
|----------------|-----------------|---------------------------|
| BODY           | BRASS           | NICKEL 2                  |
| CENTER CONTACT | BRASS           | GOLD 0.5 OVER NICKEL 2    |
| OUTER CONTACT  | -               | -                         |
| INSULATOR      | PTFE            | -                         |
| GASKET         | SILICONE RUBBER | -                         |
| OTHERS PARTS   | BRASS           | NICKEL 2                  |
| -              | -               | -                         |
| -              | -               | -                         |

Issue : 0623 E

In the effort to improve our products, we reserve the right to make changes judged to be necessary.



**MALE-MALE ADAPTOR**

**R142.703.000**

Series : BNC 75

**PACKAGING**

| Standard | Unit       | Other      |
|----------|------------|------------|
| 100      | 'W' option | Contact us |

**SPECIFICATION**

**ELECTRICAL CHARACTERISTICS**

**ENVIRONMENTAL**

|                                 |               |                              |
|---------------------------------|---------------|------------------------------|
| Impedance                       |               | <b>75</b> Ω                  |
| Frequency                       |               | <b>0-1.5</b> GHz             |
| VSWR                            | <b>1.30 +</b> | <b>0,0000</b> x F(GHz) Maxi  |
| Insertion loss                  |               | <b>0.115</b> √F(GHz) dB Maxi |
| RF leakage                      | - (           | <b>57</b> - F(GHz)) dB Maxi  |
| Voltage rating                  |               | <b>500</b> Veff Maxi         |
| Dielectric withstanding voltage |               | <b>1500</b> Veff mini        |
| Insulation resistance           |               | <b>5000</b> MΩ mini          |

|                       |                     |
|-----------------------|---------------------|
| Operating temperature | <b>-65/+165</b> ° C |
| Hermetic seal         | <b>NA</b> Atm.cm3/s |
| Panel leakage         | <b>NA</b>           |

**OTHER CHARACTERISTICS**

Assembly instruction **NA**

Others :  
-

**MECHANICAL CHARACTERISTICS**

|                            |                        |
|----------------------------|------------------------|
| Center contact retention   |                        |
| Axial force – Mating end   | <b>18</b> N mini       |
| Axial force – Opposite end | <b>18</b> N mini       |
| Torque                     | <b>2.8</b> N.cm mini   |
| Recommended torque         |                        |
| Mating                     | <b>NA</b> N.cm         |
| Panel nut                  | <b>NA</b> N.cm         |
| Mating life                | <b>500</b> Cycles mini |
| Weight                     | <b>18,0000</b> g       |

Issue : 0623 E

In the effort to improve our products, we reserve the right to make changes judged to be necessary.

