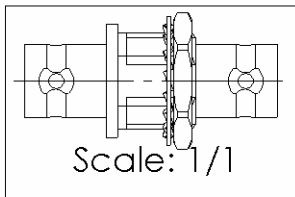
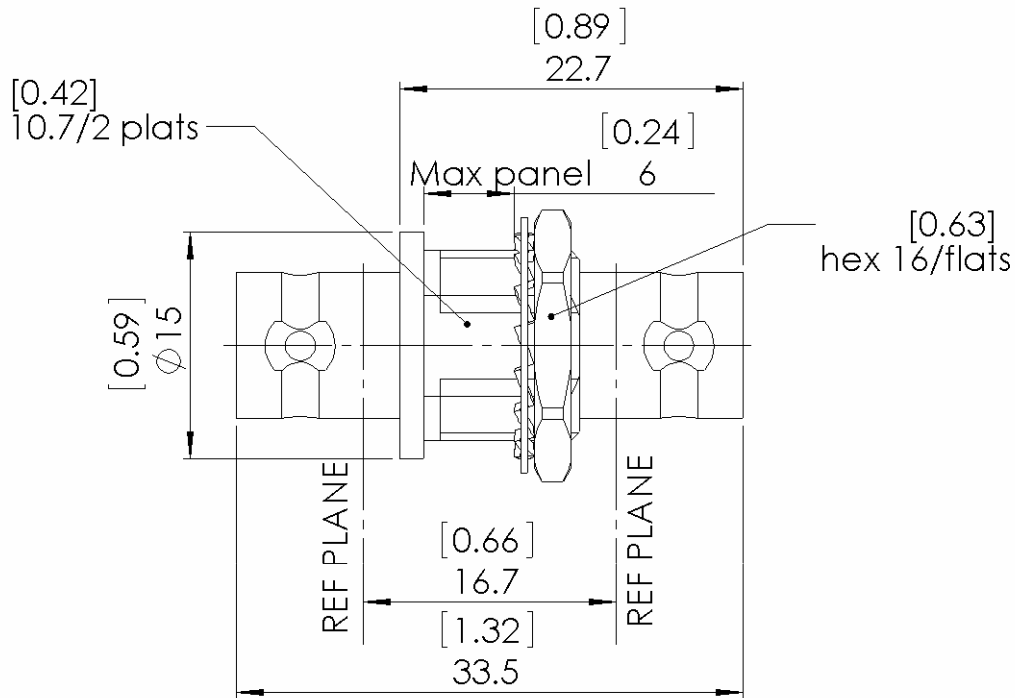


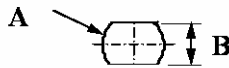
FEMALE-FEMALE BULKHEAD ADAPTOR

R142.720.700

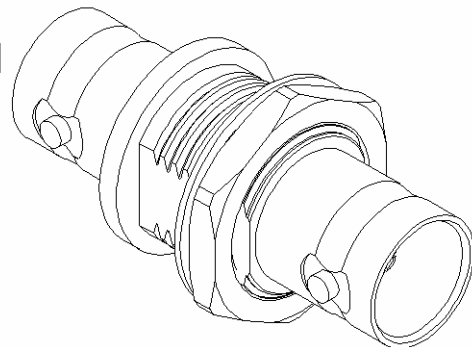
Series : **BNC 75 HDTV**



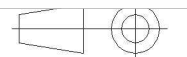
PANEL CUT OUT



| | mm | |
|----------|-------------|-------------|
| | Maxi | mini |
| A | 12.8 | 12.7 |
| B | 10.9 | 10.8 |



All dimensions are in mm.



| COMPONENTS | MATERIALS | PLATING (μ m) |
|-----------------------|-------------------------|--------------------|
| BODY | BRASS | BBR2 |
| CENTER CONTACT | BERYLLIUM COPPER | NPGR |
| OUTER CONTACT | | - |
| INSULATOR | PTFE | |
| GASKET | | |
| OTHERS PARTS | BRASS | BBR2 |
| - | - | - |
| - | - | - |

Issue : 0844 B

In the effort to improve our products, we reserve the right to make changes judged to be necessary.



FEMALE-FEMALE BULKHEAD ADAPTOR

R142.720.700

Series : **BNC 75 HDTV**

PACKAGING

SPECIFICATION

| Standard | Unit | Other |
|------------|-------------------|-------------------|
| 100 | 'W' option | Contact us |

ELECTRICAL CHARACTERISTICS

ENVIRONMENTAL

Impedance **75** Ω
 Frequency **0-6** GHz
 VSWR **1.03 + 0.0200** x F(GHz) Maxi
 Insertion loss **0.1** √F(GHz) dB Maxi
 RF leakage - (**55*** - F(GHz)) dB Maxi
 Voltage rating **500** Veff Maxi
 Dielectric withstanding voltage **1500** Veff mini
 Insulation resistance **5000** MΩ mini

Operating temperature **-65/+165** ° C
 Hermetic seal **NA** Atm.cm3/s
 Panel leakage **NA**

OTHER CHARACTERISTICS

Assembly instruction **NA**

Others :
 * From 2 to 3 GHz

MECHANICAL CHARACTERISTICS

Center contact retention
 Axial force – Mating end **15** N mini
 Axial force – Opposite end **15** N mini
 Torque **NA** N.cm mini

Recommended torque
 Mating **NA** N.cm
 Panel nut **370** N.cm

Mating life **1000** Cycles mini
 Weight **16.0900** g

Issue : 0844 B

In the effort to improve our products, we reserve the right to make changes judged to be necessary.

