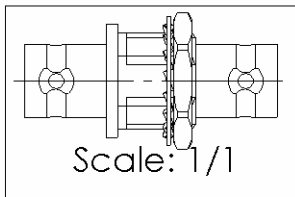
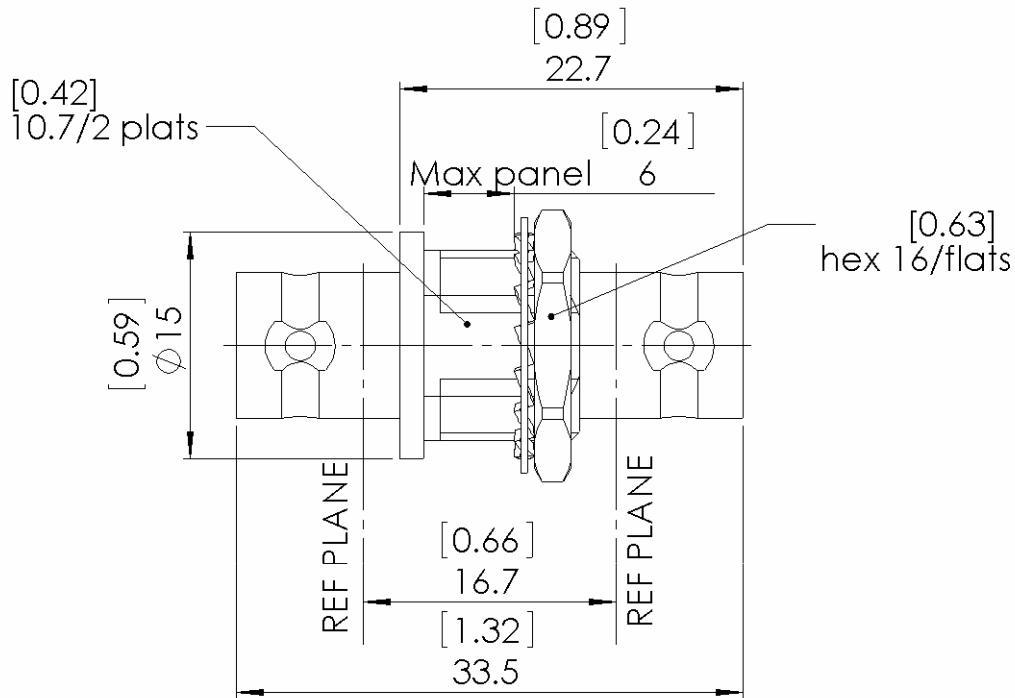


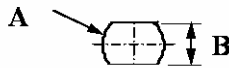
**FEMALE-FEMALE BULKHEAD ADAPTOR**

**R142.720.700**

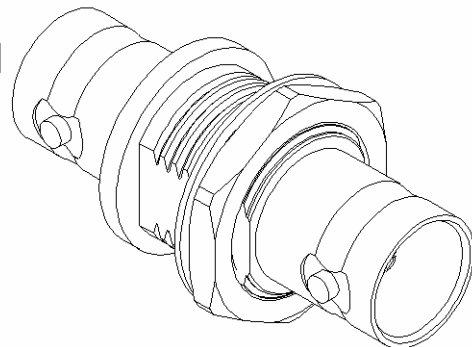
Series : **BNC 75 HDTV**



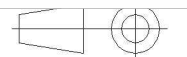
**PANEL CUT OUT**



	mm	
	Maxi	mini
<b>A</b>	<b>12.8</b>	<b>12.7</b>
<b>B</b>	<b>10.9</b>	<b>10.8</b>



All dimensions are in mm.



COMPONENTS	MATERIALS	PLATING ( $\mu$ m)
<b>BODY</b>	<b>BRASS</b>	<b>BBR2</b>
<b>CENTER CONTACT</b>	<b>BERYLLIUM COPPER</b>	<b>NPGR</b>
<b>OUTER CONTACT</b>		-
<b>INSULATOR</b>	<b>PTFE</b>	
<b>GASKET</b>		
<b>OTHERS PARTS</b>	<b>BRASS</b>	<b>BBR2</b>
-	-	-
-	-	-

Issue : 0844 B

In the effort to improve our products, we reserve the right to make changes judged to be necessary.



**FEMALE-FEMALE BULKHEAD ADAPTOR**

**R142.720.700**

Series : **BNC 75 HDTV**

**PACKAGING**

**SPECIFICATION**

Standard	Unit	Other
<b>100</b>	<b>'W' option</b>	<b>Contact us</b>

**ELECTRICAL CHARACTERISTICS**

**ENVIRONMENTAL**

Impedance	<b>75</b> Ω
Frequency	<b>0-6</b> GHz
VSWR	<b>1.03 + 0.0200</b> x F(GHz) Maxi
Insertion loss	<b>0.1</b> √F(GHz) dB Maxi
RF leakage	- ( <b>55*</b> - F(GHz)) dB Maxi
Voltage rating	<b>500</b> Veff Maxi
Dielectric withstanding voltage	<b>1500</b> Veff mini
Insulation resistance	<b>5000</b> MΩ mini

Operating temperature	<b>-65/+165</b> ° C
Hermetic seal	<b>NA</b> Atm.cm3/s
Panel leakage	<b>NA</b>

**OTHER CHARACTERISTICS**

Assembly instruction **NA**

Others :

\* From 2 to 3 GHz

**MECHANICAL CHARACTERISTICS**

Center contact retention	
Axial force – Mating end	<b>15</b> N mini
Axial force – Opposite end	<b>15</b> N mini
Torque	<b>NA</b> N.cm mini
Recommended torque	
Mating	<b>NA</b> N.cm
Panel nut	<b>370</b> N.cm
Mating life	<b>1000</b> Cycles mini
Weight	<b>16.0900</b> g

Issue : 0844 B

In the effort to improve our products, we reserve the right to make changes judged to be necessary.

**RADIALL** 