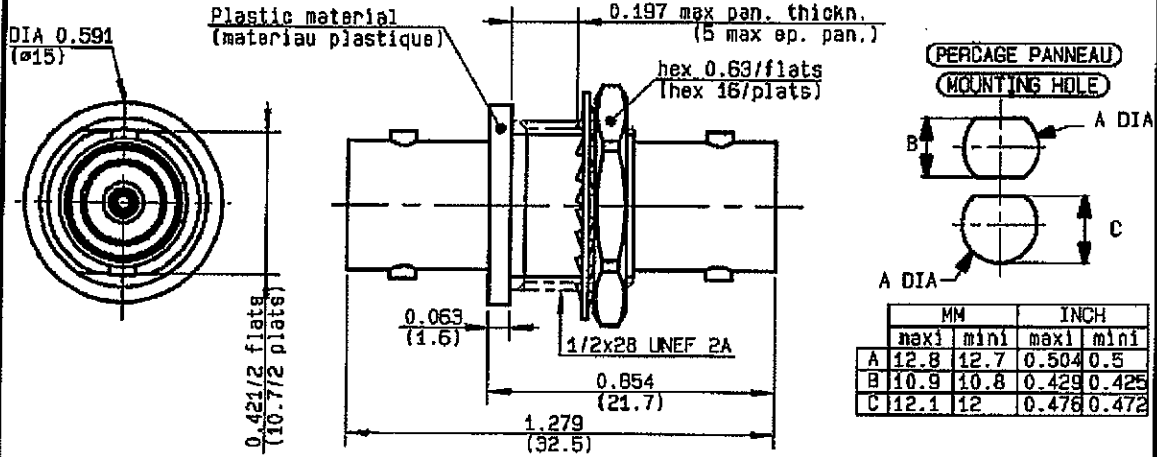


**INSULATED BULKHEAD
FEMALE-FEMALE ADAPTOR**

R142.723.000
SERIES BNC 75



NOMINAL IMPEDANCE	75 Ω
FREQUENCY RANGE	0-1.5 GHz
TEMPERATURE RATING	-65/+165 °C
V.S.W.R	1.30 + 0 x F(GHz)Max
RF INSERTION LOSS	0.115 \sqrt{F} (GHz) dB Max
VOLTAGE RATING	500 Veff Max
DIELECTRIC WITHSTANDING VOLTAGE	1500 Veff Min
INSULATION RESISTANCE	5000 M Ω Min
HERMETIC SEAL	NA Atm.cm ³ /s
LEAKAGE (pressurized only)	NA
MECHANICAL DURABILITY	500 Cycles
WEIGHT	12 gr
SPECIFICATION	

CABLES :

OTHERS CHARACTERISTICS

USABLE UNTIL 3 GHz
VSWR 1.5 @ 3GHz
I.L 0.32 @ 3 GHz

CABLE RETENTION	NA	N Mini
CENTER CONTACT RETENTION		
Axial force - mating end	18	N Mini
Axial force - opposite end	18	N Mini
Torque	NA	cm.N Mini
RECOMMENDED TORQUES		
Mating	NA	cm.N
Panel nut	370	cm.N
Clamp nut	NA	cm.N

CONNECTOR PARTS	MATERIALS	FINISH	(all values are given in micrometers)
BODY	BRASS	NICKEL 2	
OUTER CONTACT			
CENTER CONTACT	BERYLLIUM COPPER	GOLD 0.5 OVER NICKEL 2	
INSULATOR	PTFE	-	
BASKET		-	
OTHERS PIECES	BRASS	NICKEL 2	

ISSUE	CREATION DATE	FILE PART-NUMBER
0925 B	20/01/1997	95-1000-022



LELEU

The information given here is subject to change without notice.
Design changes may be in order to improve the product.

Connect to the future