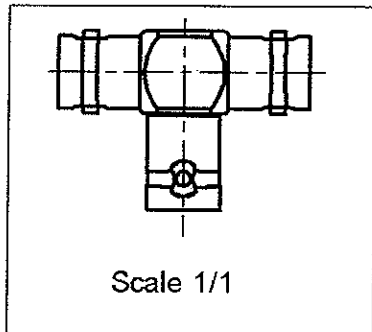
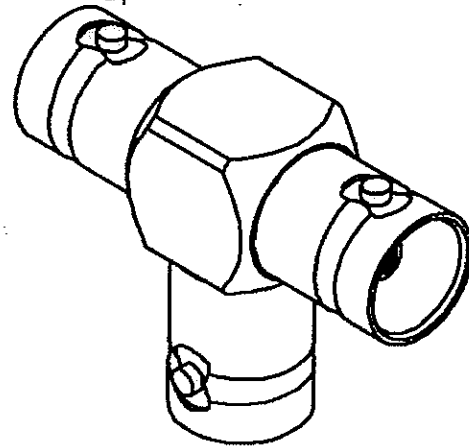
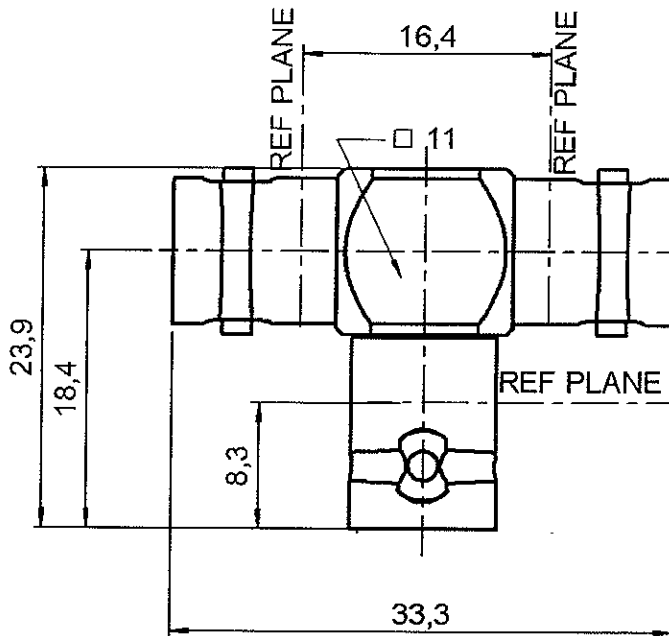


**TE FEMALE-FEMALE/FEMALE ADAPTOR**

**R142.782.000**

Series : **BNC 75**



All dimensions are in mm.

COMPONENTS	MATERIALS	PLATING
BODY	BRASS	NICKEL 2 µm
CENTRE CONTACT	BERYLLIUM COPPER	GOLD 0.5 OVER NICKEL 2 µm
OUTER CONTACT	-	- µm
INSULATOR	PTFE	- µm
GASKET	-	- µm
OTHERS PARTS	-	-
.	.	.
.	.	.



Edition : 9905 F

Design changes may be in order to improve the product.

**TE FEMALE-FEMALE/FEMALE ADAPTOR**

**R142.782.000**

Series : BNC 75

**ELECTRICAL CHARACTERISTICS**

Impedance		75 $\Omega$
Frequency		0-1.5 GHz
VSWR	NA +	0.000 x F(GHz) Maxi
Insertion loss		0.175 $\sqrt{F}$ (GHz) dB Maxi
RF leakage	- (	57 - F(GHz)) dB mini
Voltage rating		500 Veff Maxi
Dielectric withstanding voltage		1500 Veff mini
Insulation resistance		5000 M $\Omega$ mini

**SPECIFICATION**

**ENVIRONMENTAL**

Operating temperature	-65/+165 °C
Hermetic seal	NA Atm.cm3/s
Leakage – pressurised only	NA Mpa

**OTHERS CHARACTERISTICS**

Assembly instruction NA

Others :

**MECHANICAL CHARACTERISTICS**

Centre contact retention		
Axial force – Mating end		18 N mini
Axial force – Opposite end		18 N mini
Torque		2.8 N.cm mini
Recommended torque		
Mating		NA N.cm
Panel nut		NA N.cm
Mating life		500 Cycles mini
Weight		0.000 g



**RADIALL®**

Edition : 9905 F

Design changes may be in order to improve the product.