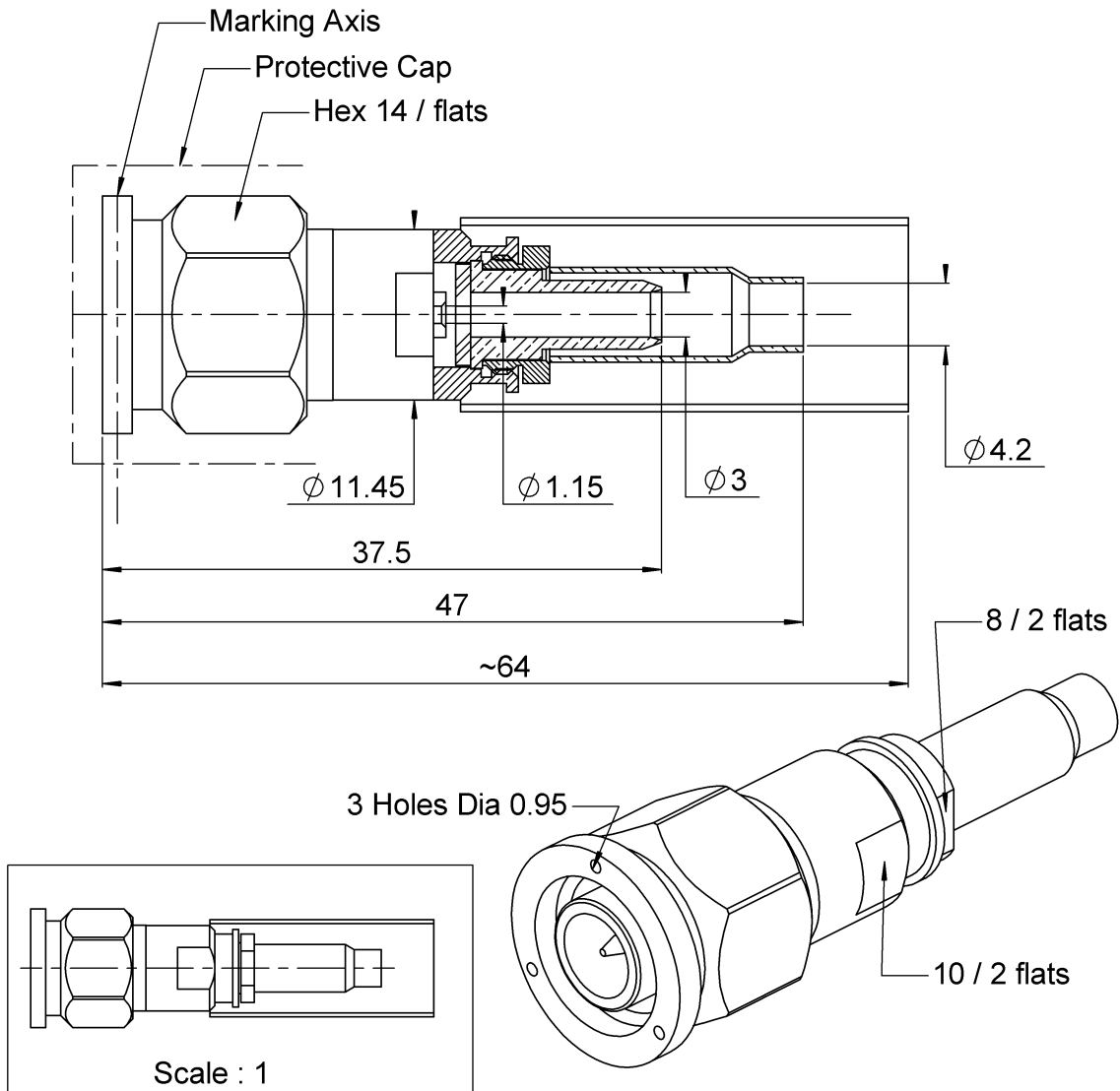
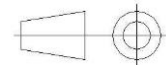


PAGE 1/3	ISSUE 24-08-18E	SERIES TNC	PART NUMBER R143088101
----------	-----------------	------------	------------------------



All dimensions are in mm.



COMPONENTS	MATERIALS	PLATING (μm)
Body	STAINLESS STEEL	PASSIVATED
Center contact	BRASS	GOLD 0.5 OVER NICKEL 2
Outer contact	STAINLESS STEEL	PASSIVATED
Insulator	PTFE	
Gasket	SILICONE RUBBER	
Others parts	BRASS	NICKEL 2
-	-	-
-	-	-

PAGE 2/3	ISSUE 24-08-18E	SERIES TNC	PART NUMBER R143088101
-----------------	------------------------	-------------------	-------------------------------

PACKAGING

Standard	Unit	Other
1	Contact us	Contact us

ELECTRICAL CHARACTERISTICS

Impedance	50	Ω
Frequency	0-6	GHz
VSWR	1.20 + 0,0000	x F(GHz) Maxi
Insertion loss	0.06	\sqrt{F} (GHz) dB Maxi
RF leakage	- (*57)	- F(GHz)) dB Maxi
Voltage rating	500	Veff Maxi
Dielectric withstanding voltage	1500	Veff mini
Insulation resistance	5000	M Ω mini

MECHANICAL CHARACTERISTICS

Center contact retention		
Axial force – Mating End	NA	N mini
Axial force – Opposite end	NA	N mini
Torque	NA	N.cm mini
Recommended torque		
Mating	265	N.cm
Panel nut	NA	N.cm
Clamp nut	370	N.cm
A/F clamp nut	8,0000	mm
Mating life	500	Cycles mini
Weight	21,4710	g

ENVIRONMENTAL

Operating temperature	-65/+165	$^{\circ}\text{C}$
Hermetic seal	NA	Atm.cm3/s
Panel leakage	NA	

SPECIFICATION

CABLE ASSEMBLY

Stripping	a	b	c	d	e	f
mm	9	9	23	0	0	0

Assembly instruction:

Recommended cable(s)

ASNE-0691-WM

Characteristics indicated on this data sheet are those that can be achieved with the highest performance cable. Intrinsic limitations of the cable may diminish the performance of the assembly

Cable retention

- pull off	140	N mini
- torque	NA	N.cm

TOOLING

Part Number	Description	Hexagon
282291	CRIMPING TOOL M22520/1-01	Selection 7
282997	POSITIONER FOR TOOL 282.291(M22520/1-13)	Red Position
R282223000	CRIMPING TOOL	5.41
R282246000	CRIMPING DIES M22520/5-05	Hex. 5.41 cavity A
R282293000	CRIMPING TOOL M22520/5-01	

Mil TOOLING REF EQUIVALENT :

M22520/1-01 = 282.991
M22520/1-13 = 282.997
M22520/5-05 = R282.246.000
M22520/5-01 = R282.293.000

OTHER CHARACTERISTICS

*** Up to 3 GHz**
General stripping tolerances +/-0.1mm