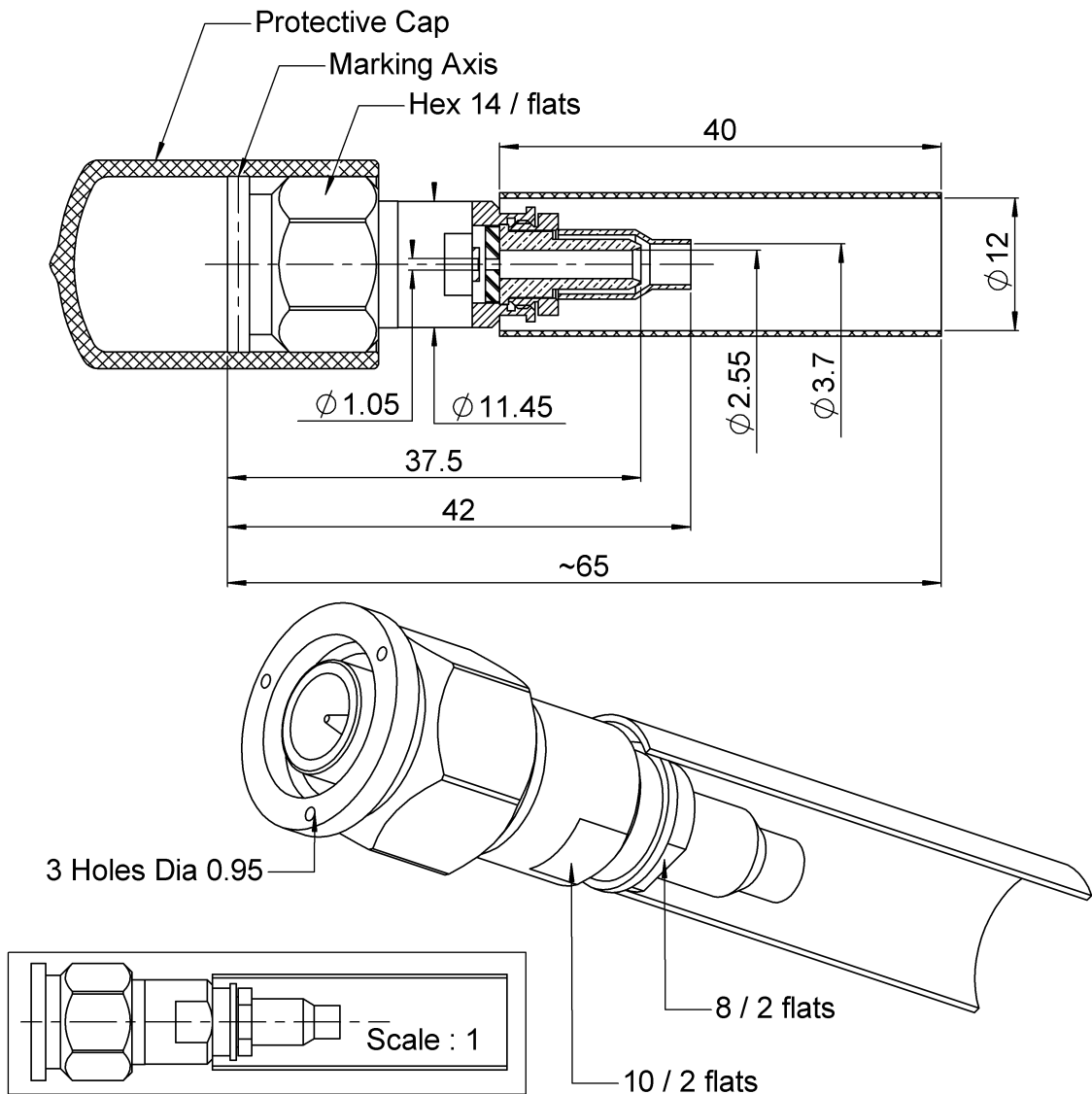
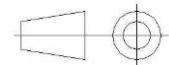


PAGE 1/3	ISSUE 22-12-15D	SERIES TNC	PART NUMBER R143088111
----------	-----------------	------------	------------------------



All dimensions are in mm.



COMPONENTS	MATERIALS	PLATING ( $\mu\text{m}$ )
Body	<b>STAINLESS STEEL</b>	<b>PASSIVATED</b>
Center contact	<b>BRASS</b>	<b>GOLD 0.5 OVER NICKEL 2</b>
Outer contact	-	-
Insulator	<b>PTFE</b>	
Gasket	<b>SILICONE RUBBER</b>	
Others parts	<b>BRASS</b>	<b>NICKEL 2</b>
-	-	-
-	-	-

PAGE <b>2/3</b>	ISSUE <b>22-12-15D</b>	SERIES <b>TNC</b>	<b>PART NUMBER R143088111</b>
-----------------	------------------------	-------------------	-------------------------------

**PACKAGING**

Standard	Unit	Other
<b>1</b>	<b>Contact us</b>	<b>Contact us</b>

**ELECTRICAL CHARACTERISTICS**

Impedance	<b>50</b>	Ω
Frequency	<b>0-6</b>	GHz
VSWR	<b>1.2 + 0,0000</b>	x F(GHz) Maxi
Insertion loss	<b>0.06</b>	√F(GHz) dB Maxi
RF leakage	- ( <b>57*</b> )	- F(GHz)) dB Maxi
Voltage rating	<b>500</b>	Veff Maxi
Dielectric withstanding voltage	<b>1500</b>	Veff mini
Insulation resistance	<b>5000</b>	MΩ mini

**MECHANICAL CHARACTERISTICS**

Center contact retention		
Axial force – Mating End	<b>27</b>	N mini
Axial force – Opposite end	<b>27</b>	N mini
Torque	<b>NA</b>	N.cm mini
Recommended torque		
Mating	<b>265</b>	N.cm
Panel nut	<b>NA</b>	N.cm
Clamp nut	<b>370</b>	N.cm
A/F clamp nut	<b>8,0000</b>	mm
Mating life	<b>500</b>	Cycles mini
Weight	<b>21,5190</b>	g

**ENVIRONMENTAL**

Operating temperature	<b>-65/+165</b>	°C
Hermetic seal	<b>NA</b>	Atm.cm3/s
Panel leakage	<b>NA</b>	

**SPECIFICATION**

**ASNE0461-F05 - -**

**CABLE ASSEMBLY**

Stripping	a	b	c	d	e	f
mm	<b>9.7</b>	<b>9.5</b>	<b>24.2</b>	<b>0</b>	<b>0</b>	<b>0</b>

Assembly instruction:

Recommended cable(s)

**EN 4604-003 (WZ)**

Characteristics indicated on this data sheet are those that can be achieved with the highest performance cable. Intrinsic limitations of the cable may diminish the performance of the assembly

Cable retention

- pull off	<b>110</b>	N mini
- torque	<b>NA</b>	N.cm

**TOOLING**

Part Number	Description	Hexagon
282291	CRIMPING TOOL M22520/1-01	2x4 (pos 8)
282997	POSITIONER FOR TOOL 282.291(M22520/1-13)	Red position
R282223000	CRIMPING TOOL	5.41
R282246000	CRIMPING DIES M22520/5-05	5.41
R282293000	CRIMPING TOOL M22520/5-01	

**OTHER CHARACTERISTICS**

**\* Up to 3 GHz**