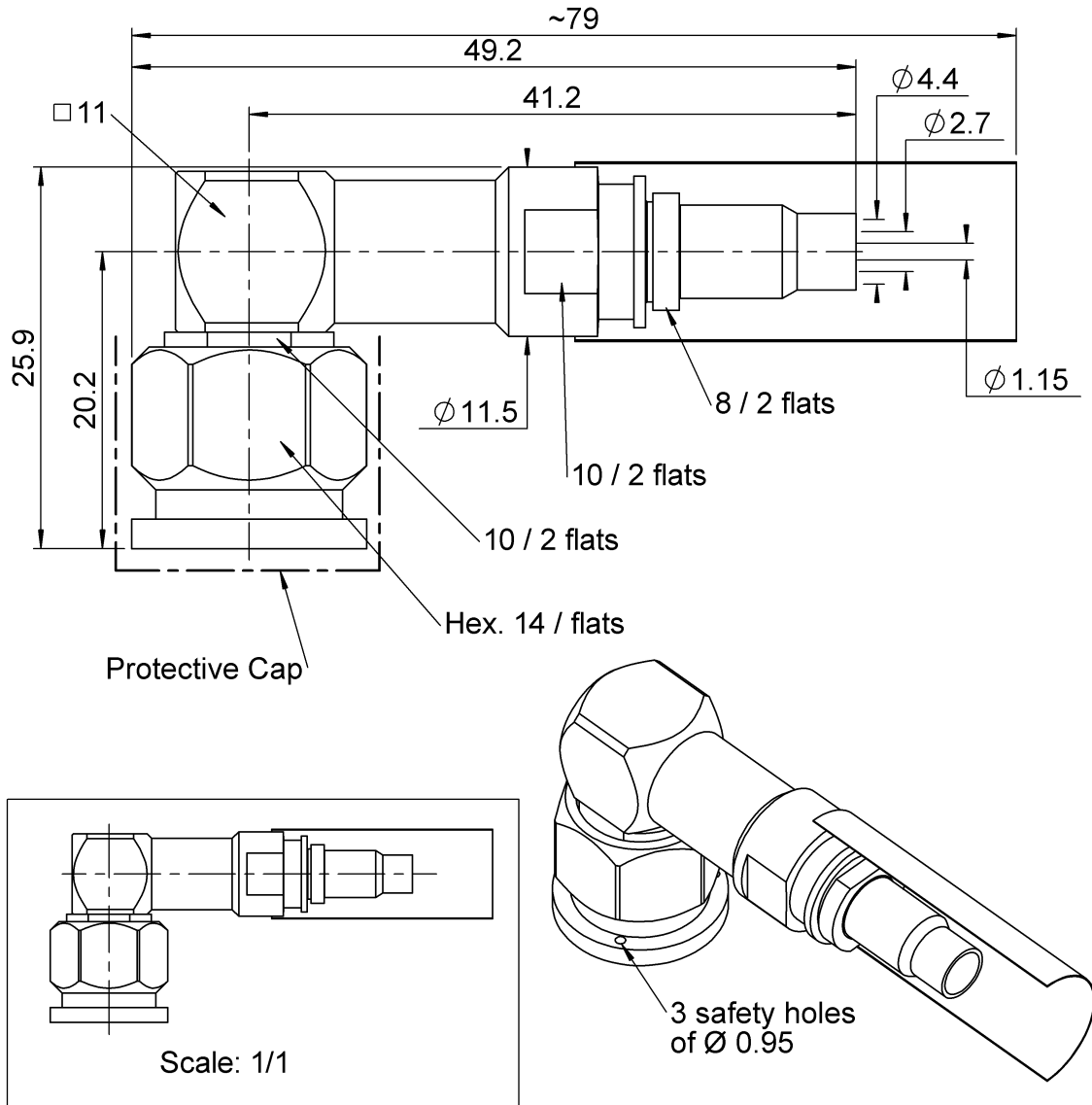
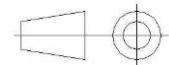


|          |                 |            |                        |
|----------|-----------------|------------|------------------------|
| PAGE 1/3 | ISSUE 03-11-15D | SERIES TNC | PART NUMBER R143191700 |
|----------|-----------------|------------|------------------------|



All dimensions are in mm.



| COMPONENTS     | MATERIALS                      | PLATING (µm)                  |
|----------------|--------------------------------|-------------------------------|
| Body           | <b>STAINLESS STEEL.</b>        | <b>PASSIVATED.</b>            |
| Center contact | <b>BERYLLIUM COPPER, BRASS</b> | <b>GOLD 0.5 OVER NICKEL 2</b> |
| Outer contact  | -                              | -                             |
| Insulator      | <b>PTFE</b>                    |                               |
| Gasket         | <b>SILICONE RUBBER</b>         |                               |
| Others parts   | <b>STAINLESS STEEL</b>         | <b>PASSIVATED.</b>            |
| -              | -                              | -                             |
| -              | -                              | -                             |

|                 |                        |                   |                               |
|-----------------|------------------------|-------------------|-------------------------------|
| PAGE <b>2/3</b> | ISSUE <b>03-11-15D</b> | SERIES <b>TNC</b> | PART NUMBER <b>R143191700</b> |
|-----------------|------------------------|-------------------|-------------------------------|

**PACKAGING**

|                      |                           |                            |
|----------------------|---------------------------|----------------------------|
| Standard<br><b>1</b> | Unit<br><b>Contact us</b> | Other<br><b>Contact us</b> |
|----------------------|---------------------------|----------------------------|

**ELECTRICAL CHARACTERISTICS**

|                                 |                      |                   |
|---------------------------------|----------------------|-------------------|
| Impedance                       | <b>50</b>            | Ω                 |
| Frequency                       | <b>0-6</b>           | GHz               |
| VSWR                            | <b>1.35 + 0,0000</b> | x F(GHz) Maxi     |
| Insertion loss                  | <b>0.1</b>           | √F(GHz) dB Maxi   |
| RF leakage                      | <b>57*</b>           | - F(GHz)) dB Maxi |
| Voltage rating                  | <b>500</b>           | Veff Maxi         |
| Dielectric withstanding voltage | <b>1500</b>          | Veff mini         |
| Insulation resistance           | <b>5000</b>          | MΩ mini           |

**MECHANICAL CHARACTERISTICS**

|                            |                |             |
|----------------------------|----------------|-------------|
| Center contact retention   |                |             |
| Axial force – Mating End   | <b>27</b>      | N mini      |
| Axial force – Opposite end | <b>27</b>      | N mini      |
| Torque                     | <b>NA</b>      | N.cm mini   |
| Recommended torque         |                |             |
| Mating                     | <b>265</b>     | N.cm        |
| Panel nut                  | <b>NA</b>      | N.cm        |
| Clamp nut                  | <b>170</b>     | N.cm        |
| A/F clamp nut              | <b>8,0000</b>  | mm          |
| Mating life                | <b>500</b>     | Cycles mini |
| Weight                     | <b>30,4000</b> | g           |

**ENVIRONMENTAL**

|                       |                 |           |
|-----------------------|-----------------|-----------|
| Operating temperature | <b>-65/+165</b> | °C        |
| Hermetic seal         | <b>NA</b>       | Atm.cm3/s |
| Panel leakage         | <b>NA</b>       |           |

**SPECIFICATION**

**CABLE ASSEMBLY**

| Stripping | a        | b        | c         | d        | e        | f        |
|-----------|----------|----------|-----------|----------|----------|----------|
| mm        | <b>9</b> | <b>9</b> | <b>23</b> | <b>0</b> | <b>0</b> | <b>0</b> |

Assembly instruction:

Recommended cable(s)

**FILECA F1703-93**  
**50 PFCFB FILOTEX**

Characteristics indicated on this data sheet are those that can be achieved with the highest performance cable. Intrinsic limitations of the cable may diminish the performance of the assembly

Cable retention

|            |            |        |
|------------|------------|--------|
| - pull off | <b>180</b> | N mini |
| - torque   | <b>NA</b>  | N.cm   |

**TOOLING**

| Part Number | Description                              | Hexagon     |
|-------------|--|-------------|
| R282246000  | CRIMPING DIES M22520/5-05                | 5.41        |
| 282291      | CRIMPING TOOL M22520/1-01                | 2x4 (pos 7) |
| R282293000  | CRIMPING TOOL M22520/5-01                | -           |
| 282997      | POSITIONER FOR TOOL 282.291(M22520/1-13) | rouge       |

**OTHER CHARACTERISTICS**

\* Up to 3 GHz