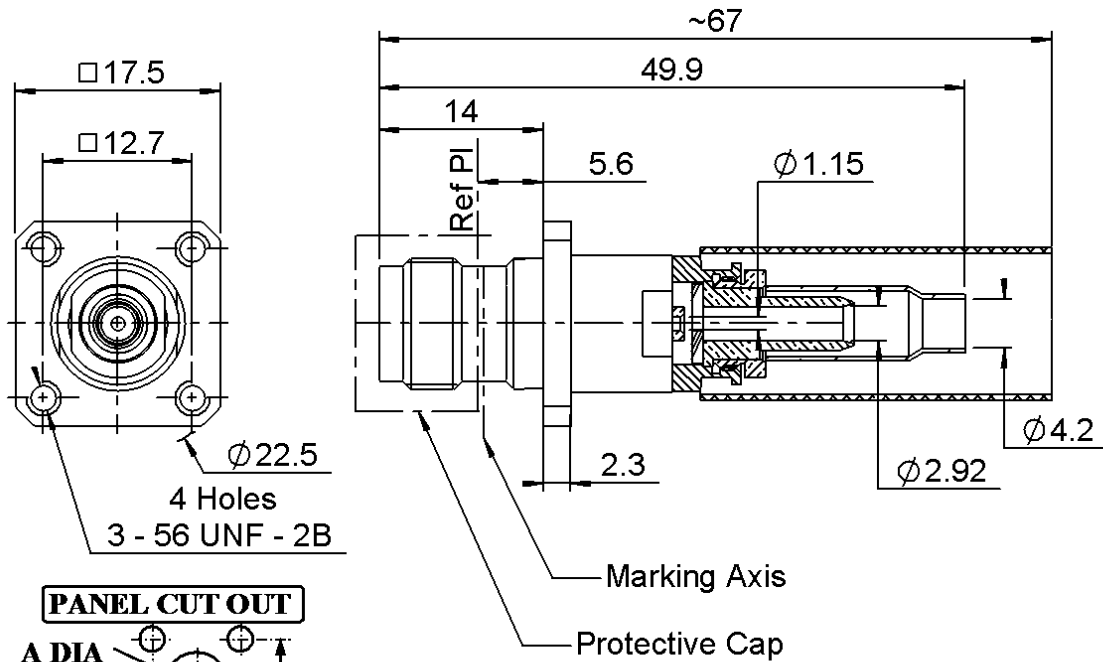
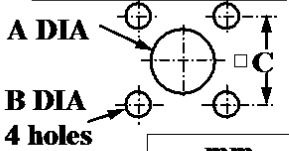


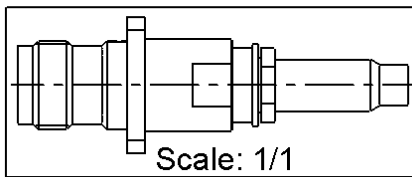
PAGE 1/3	ISSUE 24-08-18D	SERIES TNC	PART NUMBER R143288111
----------	-----------------	------------	------------------------



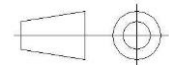
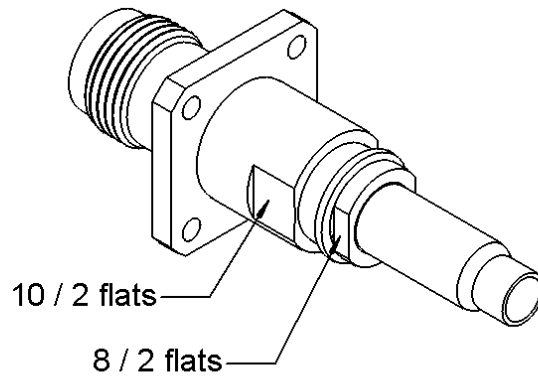
**PANEL CUT OUT**



	mm	
	Maxi	mini
A (Mont. Av)	13	12.9
A (Mont. Ar)	11.3	11.2
B	3.3	3.2
C	12.75	12.65



All dimensions are in mm.



COMPONENTS	MATERIALS	PLATING (µm)
Body	STAINLESS STEEL	PASSIVATED
Center contact	BERYLLIUM COPPER	GOLD 0.5 OVER NICKEL 2
Outer contact		
Insulator	PTFE	
Gasket		
Others parts	BRASS	NICKEL 2
-	-	-
-	-	-

PAGE <b>2/3</b>	ISSUE <b>24-08-18D</b>	SERIES <b>TNC</b>	PART NUMBER <b>R143288111</b>
-----------------	------------------------	-------------------	-------------------------------

### PACKAGING

Standard	Unit	Other
<b>1</b>		<b>Contact us</b>

### ELECTRICAL CHARACTERISTICS

Impedance	<b>50</b>	$\Omega$
Frequency	<b>0-6</b>	GHz
VSWR	<b>1.2 + 0,0000</b>	x F(GHz) Maxi
Insertion loss	<b>0.06</b>	$\sqrt{F}$ (GHz) dB Maxi
RF leakage	- ( <b>*57</b> )	- F(GHz)) dB Maxi
Voltage rating	<b>500</b>	Veff Maxi
Dielectric withstanding voltage	<b>1500</b>	Veff mini
Insulation resistance	<b>5000</b>	M $\Omega$ mini

### MECHANICAL CHARACTERISTICS

Center contact retention		
Axial force – Mating End	<b>27</b>	N mini
Axial force – Opposite end	<b>27</b>	N mini
Torque	<b>NA</b>	N.cm mini
Recommended torque		
Mating	<b>NA</b>	N.cm
Panel nut	<b>NA</b>	N.cm
Clamp nut	<b>370</b>	N.cm
A/F clamp nut	<b>8,0000</b>	mm
Mating life	<b>500</b>	Cycles mini
Weight	<b>19,6000</b>	g

### ENVIRONMENTAL

Operating temperature	<b>-65/+165</b>	°C
Hermetic seal	<b>NA</b>	Atm.cm3/s
Panel leakage	<b>NA</b>	

### SPECIFICATION

**EN4652-222C50 - -**

### CABLE ASSEMBLY

Stripping	a	b	c	d	e	f
mm	<b>9</b>	<b>9</b>	<b>23</b>	<b>0</b>	<b>0</b>	<b>0</b>

Assembly instruction:

Recommended cable(s)

**ASNE-0691-WM**

Characteristics indicated on this data sheet are those that can be achieved with the highest performance cable. Intrinsic limitations of the cable may diminish the performance of the assembly

Cable retention

- pull off	<b>140</b>	N mini
- torque	<b>NA</b>	N.cm

### TOOLING

Part Number	Description	Hexagon
282291	CRIMPING TOOL M22520/1-01	Position 7
282997	POSITIONER FOR TOOL 282.291(M22520/1-13)	Red Tourette
R282223000	CRIMPING TOOL	5.41
R282246000	CRIMPING DIES M22520/5-05	Hex. 5.41 cavity A
R282293000	CRIMPING TOOL M22520/5-01	

### Mil TOOLING REF EQUIVALENT :

M22520/1-01 = 282.991  
M22520/1-13 = 282.997  
M22520/5-05 = R282.246.000  
M22520/5-01 = R282.293.000

### OTHER CHARACTERISTICS

**\*Up to 3 GHz**  
**General stripping tolerances+/-0.1mm**