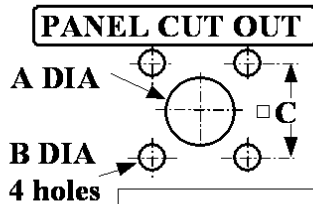
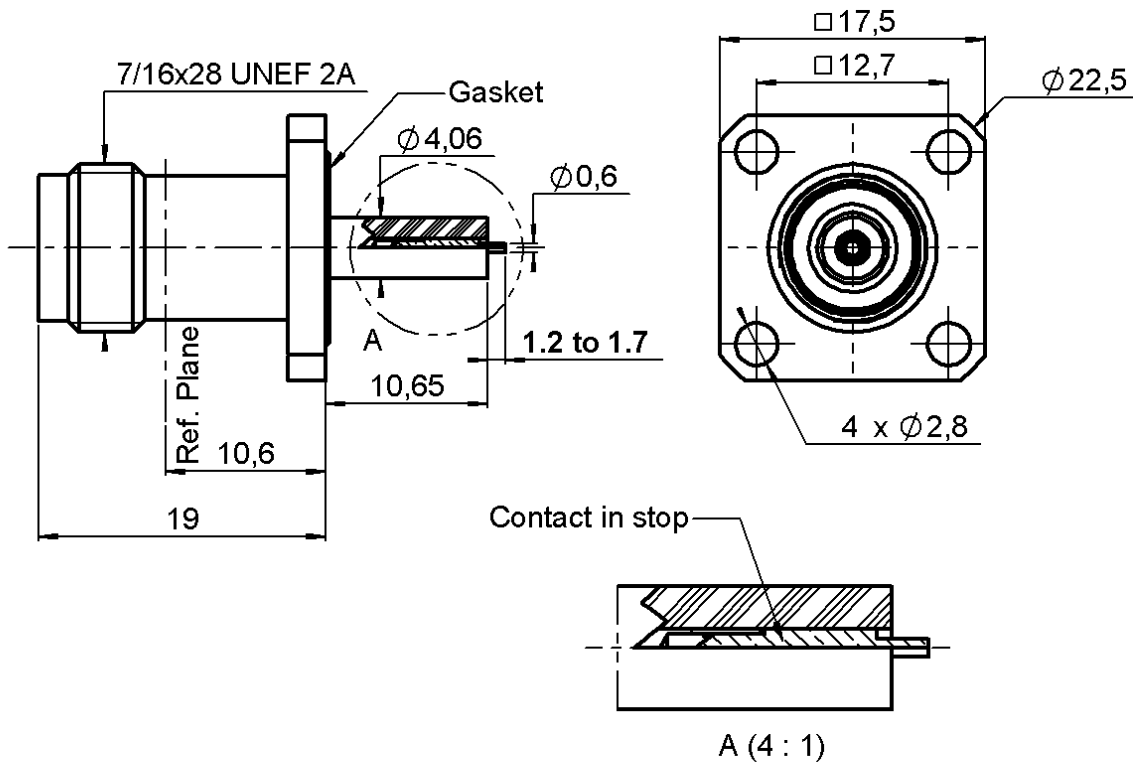


JACK FLANGE RECEPTACLE FRONT MOUNTING

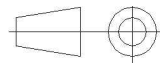
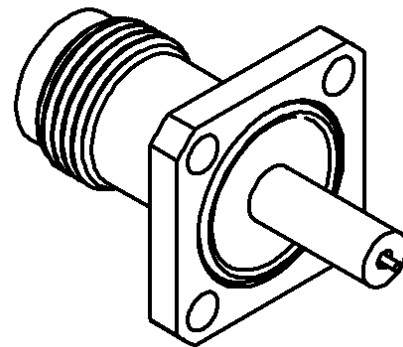
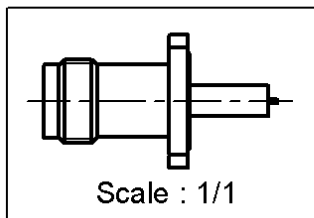
R143.408.030

PANEL AND PASS SEAL

Series : TNC



	mm	
	Maxi	mini
A	4.2	4.1
B	3	2.9
C	12.75	12.65



All dimensions are in mm.

COMPONENTS	MATERIALS	PLATINGS (µm)
BODY	BRASS	NICKEL 2
CENTER CONTACT	BERYLLIUM COPPER	GOLD 0.5 OVER NICKEL 2
OUTER CONTACT		
INSULATOR	PTFE	
GASKET	FLUOROSILICONE	
OTHERS PARTS		
-	-	-
-	-	-

Issue : 0422 A

In the effort to improve our products, we reserve the right to make changes judged to be necessary.



JACK FLANGE RECEPTACLE FRONT MOUNTING

R143.408.030

PANEL AND PASS SEAL

Series : TNC

PACKAGING

SPECIFICATION

Standard	Unit	Other
100	'W' option	Contact us

ELECTRICAL CHARACTERISTICS

ENVIRONMENTAL

Impedance		50 Ω
Frequency		0-11 GHz
VSWR	1.7* +	0.000 x F(GHz) Maxi
Insertion loss		0.15 √F(GHz) dB Maxi
RF leakage	- (- F(GHz)) dB Maxi
Voltage rating		500 Veff Maxi
Dielectric withstanding voltage		1500 Veff mini
Insulation resistance		5000 MΩ mini

Operating temperature	-65/+165 ° C
Hermetic seal	10-4 Atm.cm3/s
Panel leakage	IP67

OTHERS CHARACTERISTICS

Assembly instruction

Others :

* VSWR at 10 GHz : 1.4

MECHANICAL CHARACTERISTICS

Center contact retention	
Axial force – Mating end	18 N mini
Axial force – Opposite end	18 N mini
Torque	2.8 N.cm mini
Recommended torque	
Mating	NA N.cm
Panel nut	NA N.cm
Mating life	500 Cycles mini
Weight	11.186 g

Issue : 0422 A

In the effort to improve our products, we reserve the right to make changes judged to be necessary.

