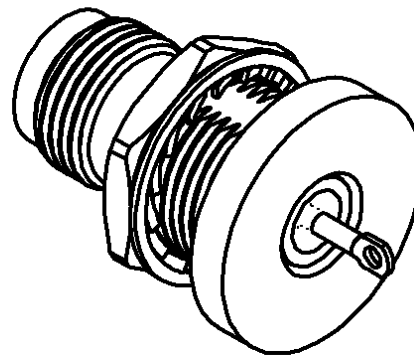
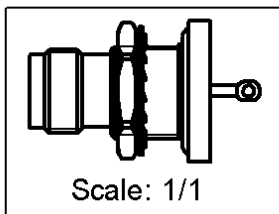
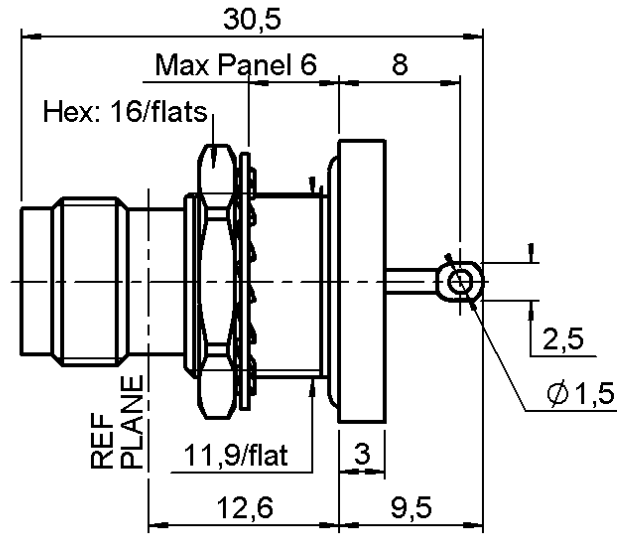


BULKHEAD HERMETICAL JACK RECEPTACLE

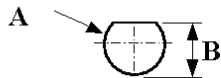
R143.626.000

REAR MOUNT PANEL SEAL

Series : TNC

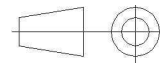


PANEL CUT OUT



mm		
	Maxi	mini
A	12.9	12.8
B	12.1	12

All dimensions are in mm.



COMPONENTS	MATERIALS	PLATINGS (µm)
BODY	BRASS	NICKEL 2
CENTER CONTACT	BERYLLIUM COPPER	GOLD 0.5 OVER NICKEL 2
OUTER CONTACT	-	-
INSULATOR	PTFE	-
GASKET	FLUOROCARBON	-
OTHERS PARTS	BRASS	NICKEL 2
-	-	-
-	-	-

Issue : 1251 E

In the effort to improve our products, we reserve the right to make changes judged to be necessary.



BULKHEAD HERMETICAL JACK RECEPTACLE

R143.626.000

REAR MOUNT PANEL SEAL

Series : TNC

PACKAGING

SPECIFICATION

Standard	Unit	Other
1	-	Contact us

ELECTRICAL CHARACTERISTICS

ENVIRONMENTAL

Impedance **50** Ω
 Frequency **0-11** GHz
 VSWR **1.06 + 0,0060** x F(GHz) Maxi
 Insertion loss **.025*** √F(GHz) dB Maxi
 RF leakage - (**57** - F(GHz)) dB Maxi
 Voltage rating **500** Veff Maxi
 Dielectric withstanding voltage **1500** Veff mini
 Insulation resistance **5000** MΩ mini

Operating temperature **-25/+100** ° C
 Hermetic seal **10-6** Atm.cm3/s
 Panel leakage **NA**

OTHERS CHARACTERISTICS

Assembly instruction **NA**

Others :
 * Coaxial Transmission Line Only

MECHANICAL CHARACTERISTICS

Center contact retention
 Axial force – Mating end **18** N mini
 Axial force – Opposite end **18** N mini
 Torque **2.8** N.cm mini

Recommended torque
 Mating **NA** N.cm
 Panel nut **250** N.cm

Mating life **500** Cycles mini
 Weight **26,0000** g

Issue : 1251 E

In the effort to improve our products, we reserve the right to make changes judged to be necessary.

