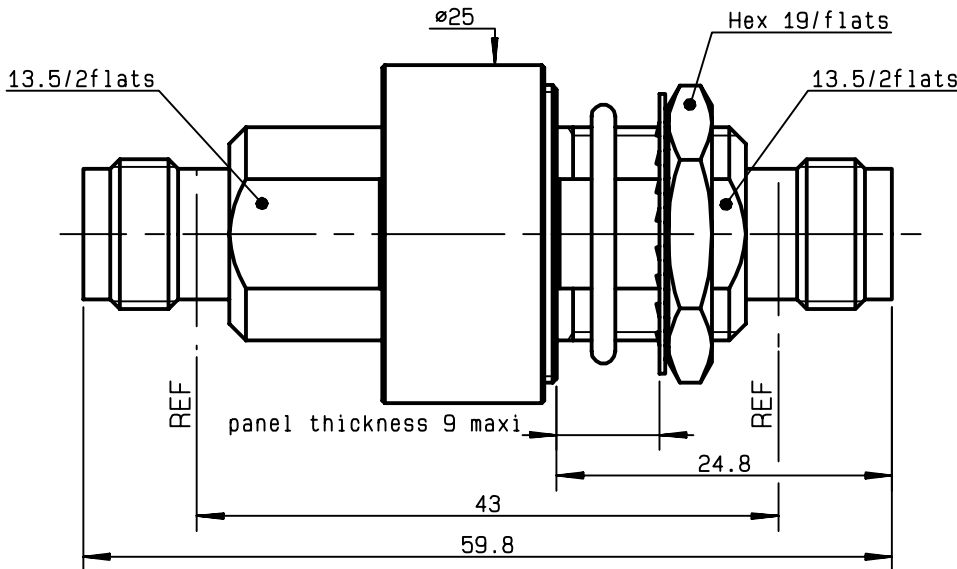
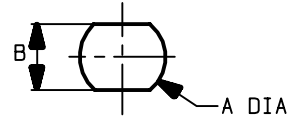


**FEMALE-FEMALE HERMETIC ADAPTOR
BULKHEAD PANEL SEAL**

R143.753.104
SERIES TNC



PERÇAGE PANNEAU
MOUNTING HOLE



| | MM | | INCH | |
|---|------|------|-------|-------|
| | maxi | mini | maxi | mini |
| A | 16.1 | 16 | 0.634 | 0.63 |
| B | 13.7 | 13.6 | 0.539 | 0.535 |

| | |
|---------------------------------|-------------------------------------|
| NOMINAL IMPEDANCE | 50 Ω |
| FREQUENCY RANGE | 0-6 GHz |
| TEMPERATURE RATING | -65/+165 °C |
| V.S.W.R | 1.44 + 0 x F(GHz)Maxi |
| RF INSERTION LOSS | 0.06 √F(GHz) dB Maxi |
| VOLTAGE RATING | 500 Veff Maxi |
| DIELECTRIC WITHSTANDING VOLTAGE | 1500 Veff Mini |
| INSULATION RESISTANCE | 5000 MΩMini |
| HERMETIC SEAL | 10-6 Atm.cm ³ /s |
| LEAKAGE (pressurized only) | 0.35MPa |
| MECHANICAL DURABILITY | 500 Cycles |
| WEIGHT | 83 gr |
| SPECIFICATION | |

CABLES :

OTHERS CHARACTERISTICS

Puissance 280 W a 1.7 GHz

| | | |
|----------------------------|------------|-----------|
| CABLE RETENTION | NA | N Mini |
| CENTER CONTACT RETENTION | | |
| Axial force - mating end | 18 | N Mini |
| Axial force - opposite end | 18 | N Mini |
| Torque | NA | cm.N Mini |
| RECOMMENDED TORQUES | | |
| Mating | NA | cm.N |
| Panel nut | 500 | cm.N |
| Clamp nut | NA | cm.N |

| CONNECTOR PARTS | MATERIALS | FINISH | (all values are given in micrometers) |
|-----------------|--------------------|----------------------|---------------------------------------|
| BODY | BRASS | GOLD 1.3 OVER COPPER | 0.5 |
| OUTER CONTACT | | | |
| CENTER CONTACT | BERYLLIUM COPPER | GOLD 1.3 OVER COPPER | 0.5 |
| INSULATOR | PTFE+GLASS BEAD | - | |
| GASKET | BLACK FLUOROCARBON | - | |
| OTHERS PIECES | BRASS | GOLD 1.3 OVER COPPER | 0.5 |

BONMINI

| | | |
|----------------|-------------------|--------------------|
| ISSUE | CREATION DATE | FILE PART-NUMBER |
| 9910A00 | 09/04/1996 | 96-1206-107 |



RADIALL®

The information given here is subject to change without notice.
Design changes may be in order to improve the product.

Connect to the future