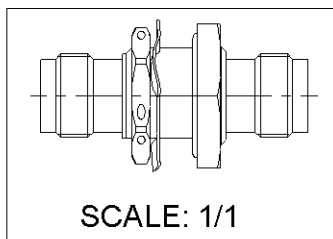
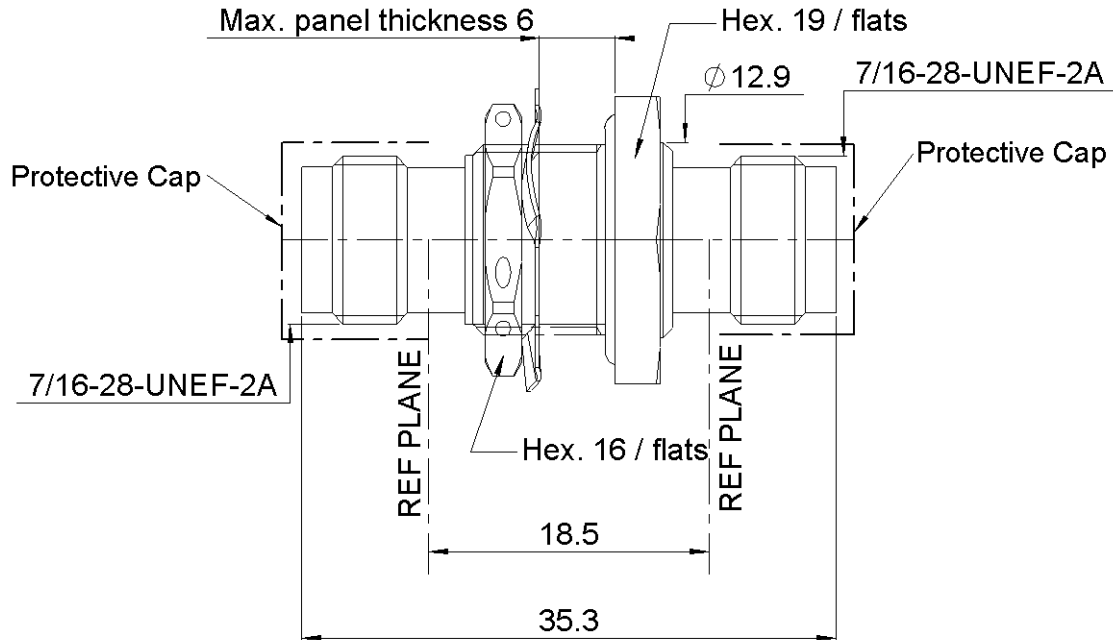
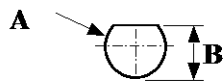


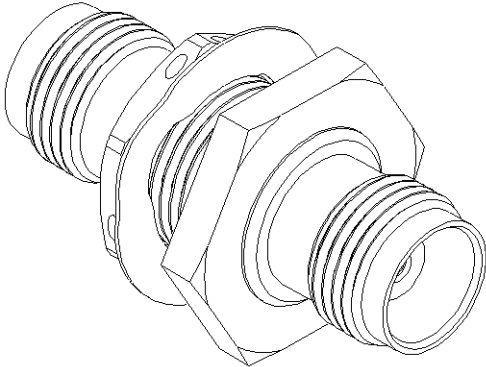
PAGE 1/2	ISSUE 16-10-15D	SERIES TNC	PART NUMBER R143753120
----------	-----------------	------------	------------------------



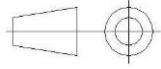
**PANEL CUT OUT**



mm	
	Maxi mini
<b>A</b>	<b>12.8 12.7</b>
<b>B</b>	<b>12.05 11.95</b>



All dimensions are in mm.



COMPONENTS	MATERIALS	PLATING (µm)
Body	<b>BRASS</b>	<b>NICKEL 2</b>
Center contact	<b>BERYLLIUM COPPER</b>	<b>GOLD 0.5 OVER NICKEL 2</b>
Outer contact	-	-
Insulator	<b>PTFE+GLASS BEAD</b>	-
Gasket	<b>BLACK FLUOROCARBON</b>	-
Others parts	<b>STAINLESS STEEL</b>	<b>PASSIVATED.</b>
-	-	-
-	-	-

PAGE 2/2	ISSUE 16-10-15D	SERIES TNC	PART NUMBER R143753120
----------	-----------------	------------	------------------------

**PACKAGING**

Standard	Unit	Other
100	Contact us	Contact us

**ELECTRICAL CHARACTERISTICS**

Impedance		<b>50</b>	Ω
Frequency		<b>0-11</b>	GHz
VSWR	<b>1.45</b>	<b>+</b>	<b>0,0000</b> x F(GHz) Maxi
Insertion loss		<b>0.1</b>	√F(GHz) dB Maxi
RF leakage	- (	<b>57</b>	- F(GHz) dB Maxi
Voltage rating		<b>500</b>	Veff Maxi
Dielectric withstanding voltage		<b>1500</b>	Veff mini
Insulation resistance		<b>5000</b>	MΩ mini

**ENVIRONMENTAL**

Operating temperature	<b>-65/+165</b>	°C
Hermetic seal	<b>10-8</b>	Atm.cm3/s
Panel leakage	<b>IP67</b>	

**MECHANICAL CHARACTERISTICS**

Center contact retention			
Axial force – Mating End		<b>26</b>	N mini
Axial force – Opposite end		<b>26</b>	N mini
Torque		<b>NA</b>	N.cm mini
Recommended torque			
Mating		<b>NA</b>	N.cm
Panel nut		<b>300</b>	N.cm
Mating life		<b>500</b>	Cycles mini
Weight		<b>22,1000</b>	g

**SPECIFICATION**

**ASN-E0461 TE00 - -**

**OTHER CHARACTERISTICS**

Assembly instruction:

Others: