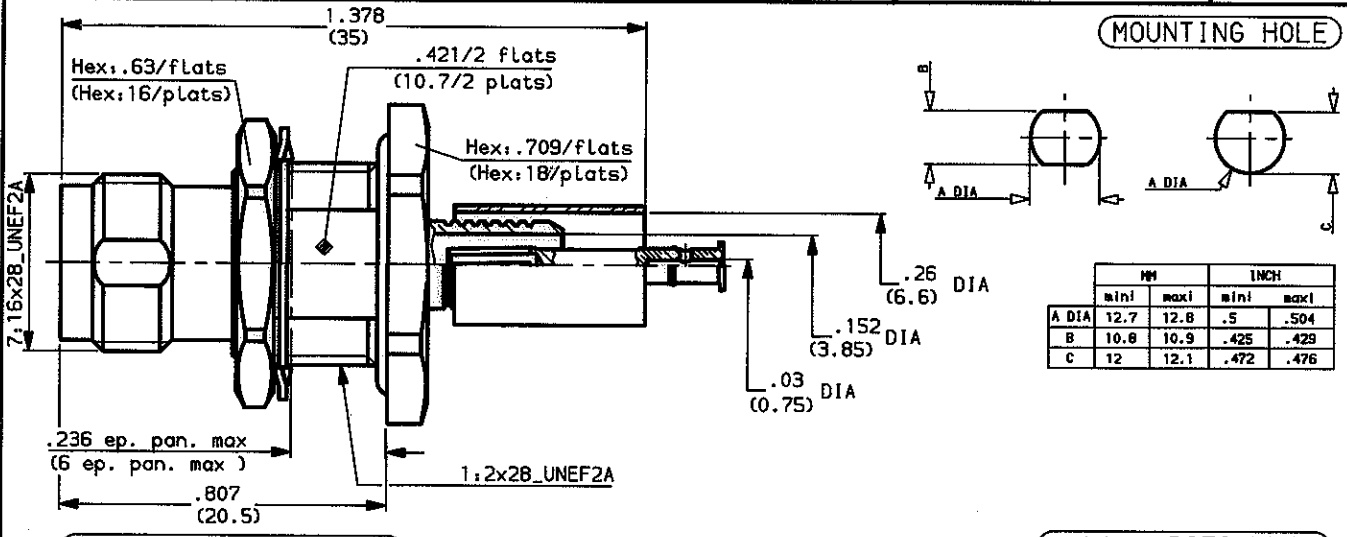


STRAIGHT BULKHEAD JACK CRIMP
PANEL SEAL CABLE 6/75+93



WEIGHT oz (g)

cables: RG59 KX6A

CHARACTERISTICS

NOMINAL IMPEDANCE	75 Ω
FREQUENCY RANGE	0-1.5 GHz
TEMPERATURE RATING	-35/+70 °C
VSWR	NA Max
RF INSERTION LOSS	NA \sqrt{f} dB Maxi
VOLTAGE RATING	500 Vrms Maxi
DIELECTRIC WITHSTANDING VOLTAGE	1500 Vrms mini
INSULATION RESISTANCE	5000 Ma mini
HERMETIC SEAL	NA cc/s Atm.cm3/s
LEAKAGE (pressurized only)	RUIS psi RUIS MPa
-	-
-	-

STANDARDISATION	
CABLE RETENTION	30.6 lb mini 136 N
CENTER CONTACT RETENTION	
Axial force - mating end	2.25 l mini 10 N
Axial force - opposite end	2.25 lb mini 10 N
Torque (Min)	NA Inch.oz NA cm.N
RECOMMENDED TORQUES	
Mating	NA Inch.Lb NA cm.N
Panel nut	32.782 Inch.Lb 370 cm.N
Clamp nut	NA Inch.Lb NA cm.N

CONSTRUCTION

CONNECTOR PARTS	MATERIALS	FINISH
BODY	Brass	Nickel
OUTER CONTACT	Brass	Nickel
CENTER CONTACT	Brass	Gold
INSULATORS	PTFE	-
Gasket	Rubber silicone	-
Ferrule	Brass	Nickel
Screw nut	Brass	Nickel
Lockwasher	Bronze	Nickel
-	-	-

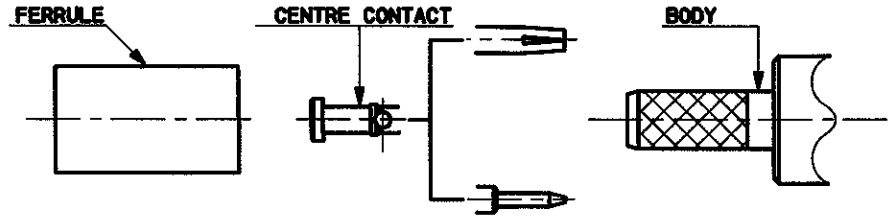
ISSUE	REVISION No	DESCRIPTION	BY	DATE
.
.
.

Initiated on 9-MAR-90
Superseded on -----

The information given here is subject to change without notice. Design changes may be in order to improve the product.

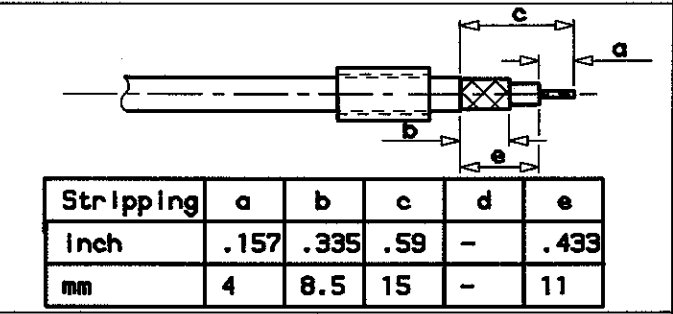


STRAIGHT BULKHEAD JACK CRIMP
PANEL SEAL CABLE 6/75+93

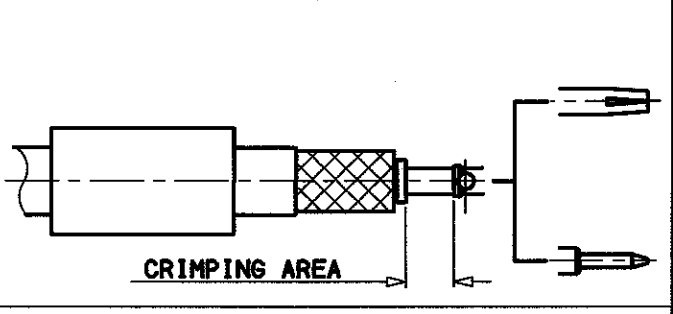


①
1-1 Slide onto the cable the ferrule

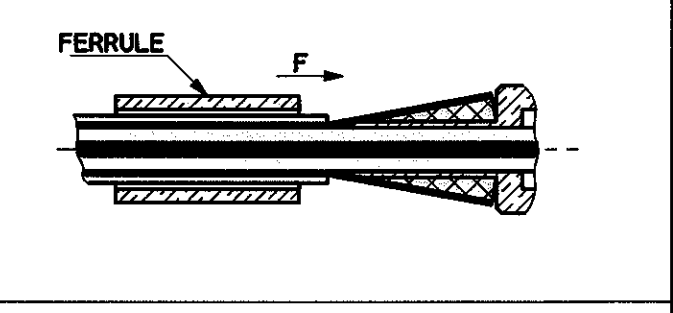
1-2 Strip the cable .



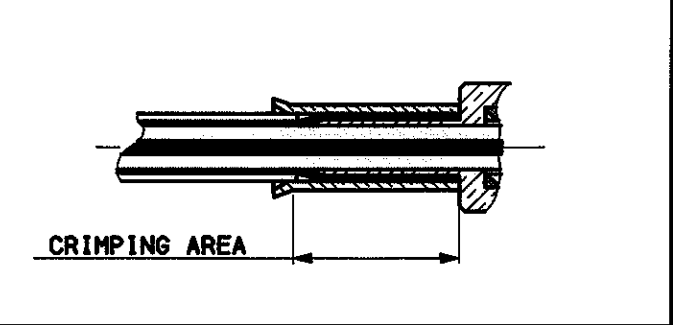
②
2-1 Slide on the centre contact until it bottoms against cable dielectric .
2-2 Crimp centre contact , crimping tool R 282 223 000 (Hex. .068) or crimping tool M22520/5-01 + dies M22520/5-13



③
3-1 Fan the braid .
3-2 Slide cable into the body until bottoms against insulator .
3-3 Slide ferrule over the braid (in direction F)



④
4-1 Crimp the ferrule with crimping tool R 282 223 000 (Hex. .255) or Crimping tool M22520/5-01 + dies M22520/5-13
4-2 Cut the excess of braid .



ISSUE	REVISION No	DESCRIPTION	BY	DATE
.
.
.
.

Initiated on 27 Mar 90
Superseded on -----

The information given here is subject to change without notice. Design changes may be in order to improve the product.

